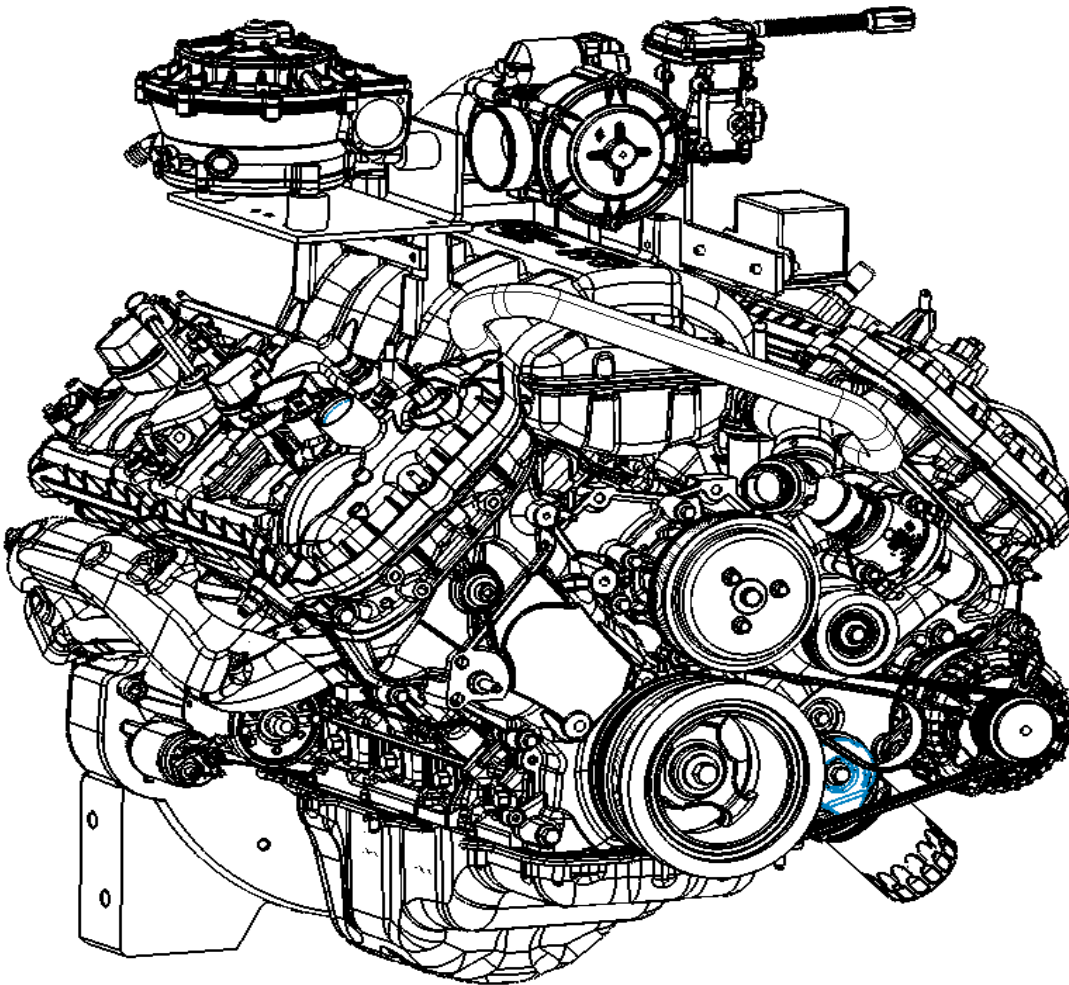




## WSG850 Service Parts Manual



Part#: 1030280

Rev 1

9/24/2024

## General Information

This catalog has been prepared to assist you, the owner, in identifying the correct replacement

## Parts Information

Each listing contains base part number, part description and the quantity required to assist in indentifying and ordering the correct part.

**NOTE:** The descriptions and specifications contained in this manual were in effect at the time the book was released for printing. Engine Distributors, Inc. (EDI) reserves the right to discontinue models at any time, or change specifications or design, without notice and without

**Reproduction in any manner, in whole or in part, is prohibited without the express permission in writing from Engine Distributors, Inc.**

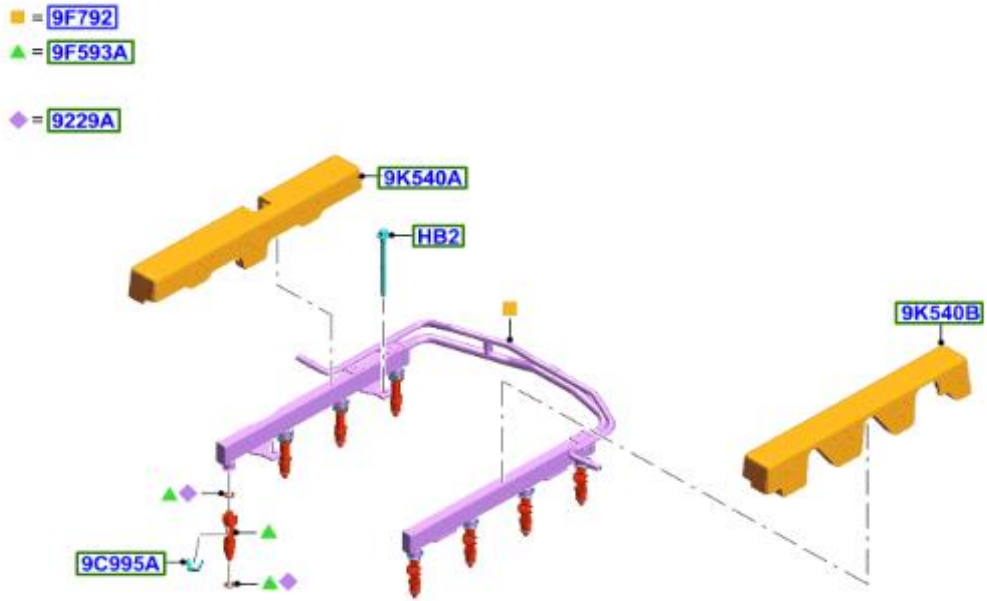


Engine Distributors Inc  
400 University Ct.  
Blackwood, NJ 08012  
800-220-2700

**INDEX**

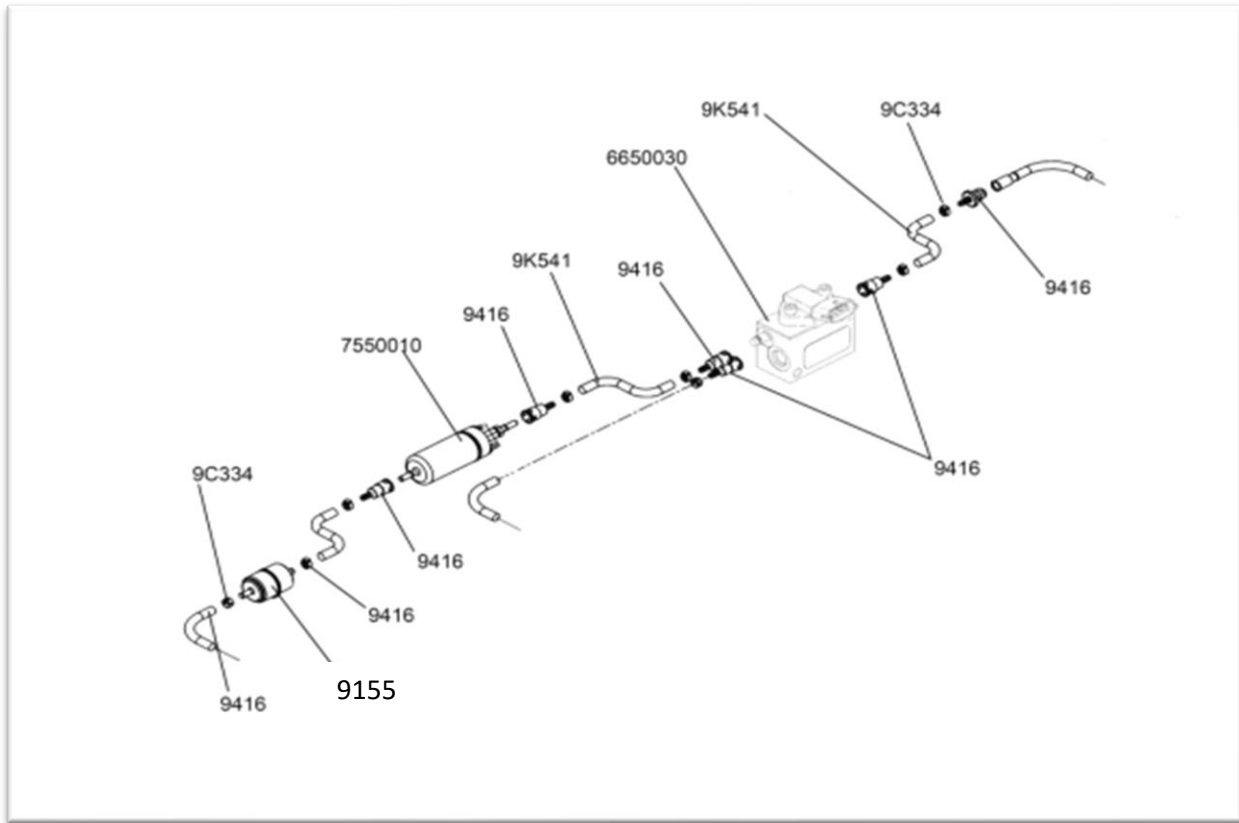
<b>WSG850 Service Parts</b>	<b>Section</b>	<b>PAGE</b>
<b>Fuel System</b> Fuel Rail and Injectors, Fuel Pump, LPG and NG Mixers/Pressure Regulators, Lockoff Valves	1	3
<b>Electrical System</b> Starter, Alternator, Relays, and Wiring Harnesses	2	9
<b>Exhaust</b> Catalyst Muffler, Manifold	3	12
<b>Intake</b> Manifold, Bosch Governor, Throttle Adapter	4	13
<b>FEAD</b> Tensioner, Pulleys	5	14
<b>Flywheel and Housings</b> Flatface Flywheel, SAE Flywheel and Housing	6	16
<b>Cooling System</b> Thermostat, Water Pump, Coolant Outlet and Tube, Radiator Packages	7	17
<b>Oil System</b> Filter, Oil Pan, Pickup, Pump and Chain	8	20
<b>Base Engine</b> Camshafts, Valve Cover, Crankshaft and Bearings, Cylinder Head, Crankcase Ventilation, Pistons, Timing Chain and Gears, Front Cover	9	23
<b>Miscellaneous</b> Optional Add-ons	10	34
<b>Manual &amp; Labels</b>	11	35

Gasoline Fuel Rail and Injectors



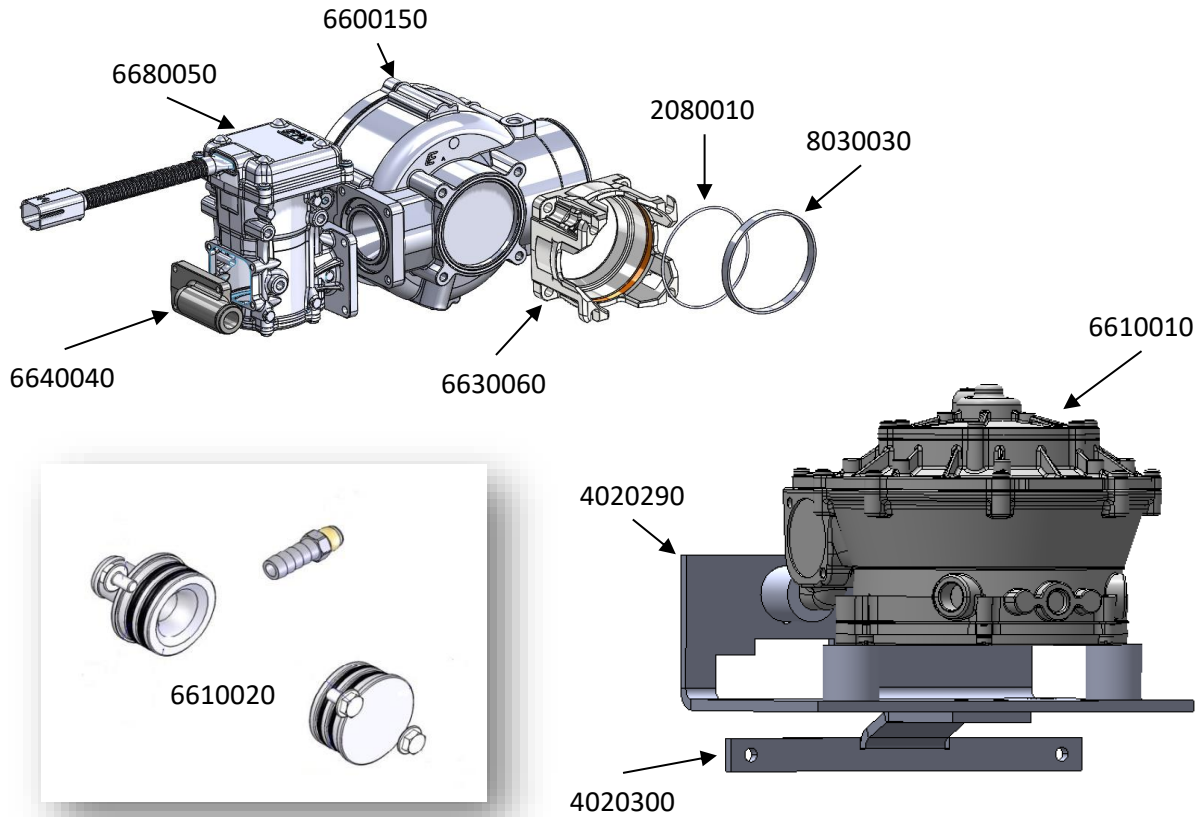
Quantity	Description	Part #	Notes
8	Fuel Injector (9F953)	NR3Z-9F953-A	Motorcraft #: CM-5315
8	Fuel Injector Retainer (9C995)	4F2Z-9C995-A	
1	Fuel Rail (9F792)	JR3Z-9F792-C	
1	Fuel Rail Insulator, LH (9K540A)	JR3Z-9K540-G	
1	Fuel Rail Insulator, RH (9K540B)	JR3Z-9K540-H	
A/R	Injector Seals (9229)	FOPZ-9229-A	Motorcraft #: CM-4717
4	Bolt (HB2)	W714864-S900	M6 x 96MM
1	Fuel Injector Harness (not shown)	5210180	

Gasoline Fuel Pump, Block, and Lines



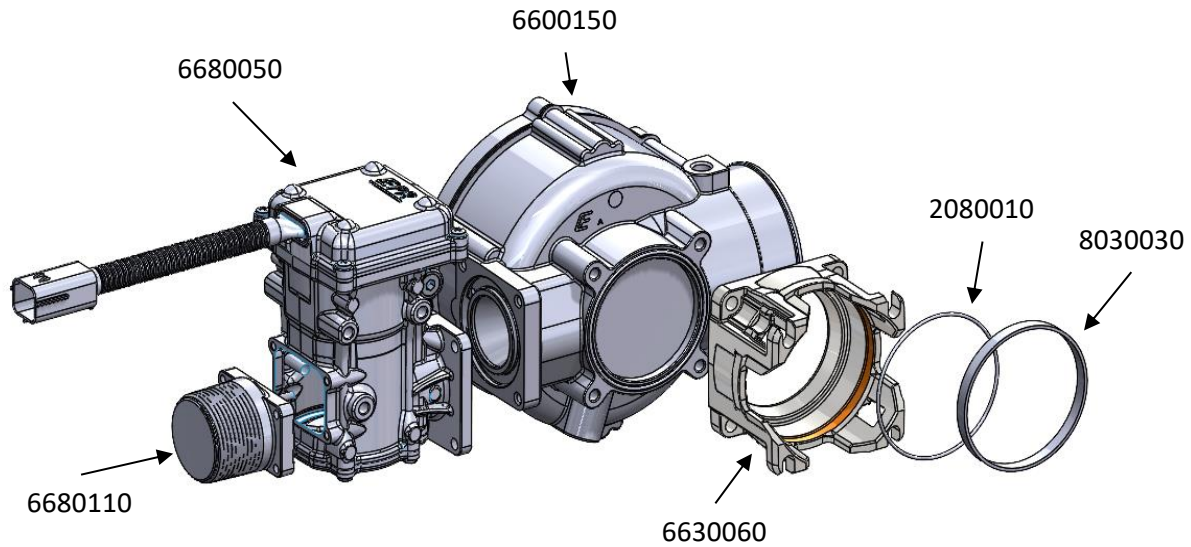
Quantity	Description	Part #
1	Gasoline Fuel Pump	7550010
1	Gasoline Fuel Block	6650030
2	Fuel Block Fitting - SAE 6	2050040
1	Fuel Block Fitting - SAE 3	2050050
1	Fuel Pump Fitting - M10	2050030
1	Fuel Pump Fitting Washer	1118659
1	Fuel Filter	F89Z-9155-A
1	Fuel Pump / Fuel Filter Mounting Clamp	6660020
A/R	Fuel Line Clamps	F8JL-9C334-AA
A/R	Fuel Clips (Quick Disconnects)	F68A-9416-BA
1	Fuel Rail Quick Disconnect	2F1Z-9J274-BA
A/R	Fuel Line	6590010

LPG Fuel System; Mixer, DEPR, Vapor Regulator



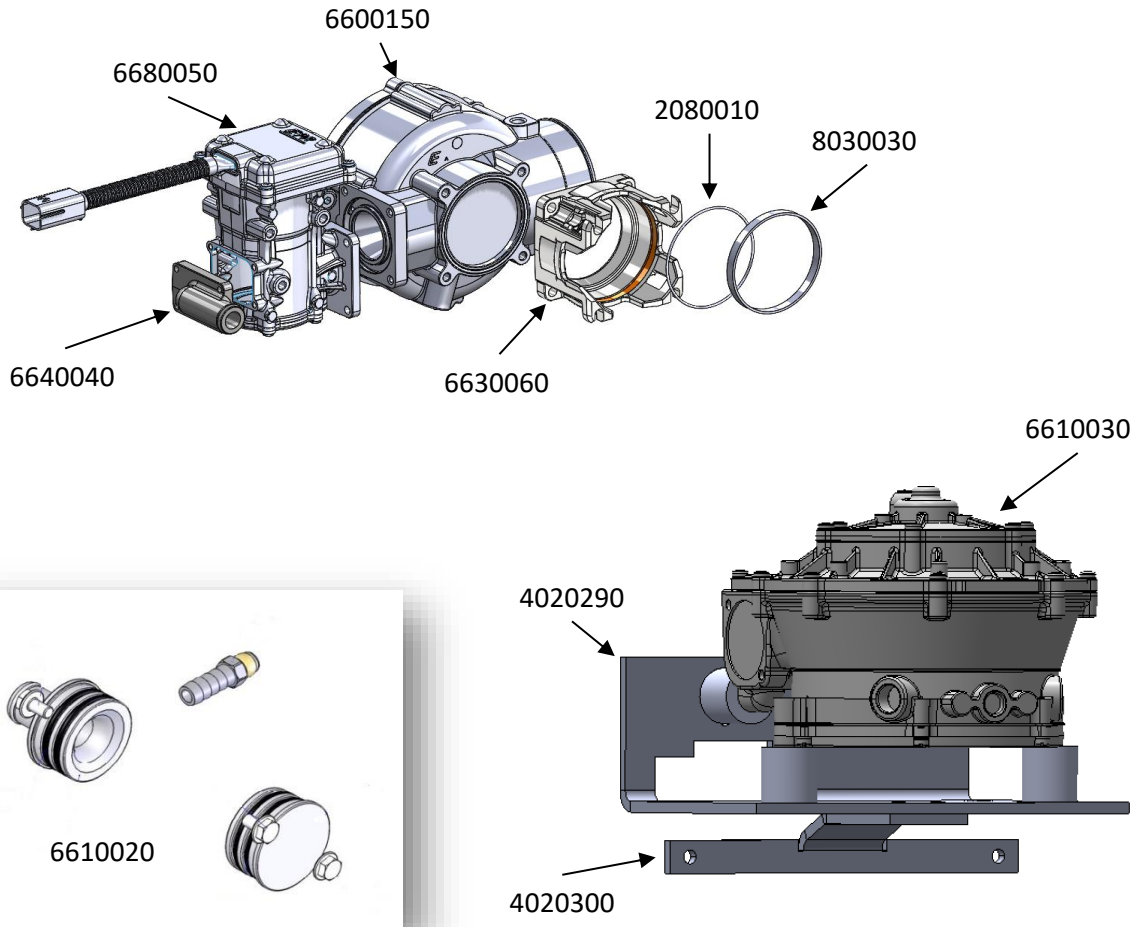
Quantity	Description	Part #
1	LP/NG Mixer	6600150
1	Mixer to Governor Adapter	6630060
1	Mixer to Governor Adapter flat, spacer	8030030
1	Mixer to Governor Adapter o-ring smooth	2080010
1	LPG Vapor Regulator	6610010
1	Vapor Regulator Fuel Outlet Fitting	6610020
1	Vapor Regulator Coolant Fitting 45°	68712
1	Vapor Regulator Coolant Fitting 90°	69948
1	Direct Electronic Pressure Regulator (DEPR)	6680050
1	DEPR 90 Deg Fitting - 3/4" Barb	6640040
A/R	Vapor Hose	VH34
2	Mixer Diaphragm Replacement Kit	6610040
2	LPG Vapor Regulator Coolant Hose (cut to length)	18084
1	Vapor Regulator Mounting Bracket	4020290
1	Mounting Bracket Support	4020300
4	Vapor Regulator Isolators	65500001

Low Pressure NG Fuel System



Quantity	Description	Part #
1	LP/NG Mixer	6600150
1	Mixer to Governor Adapter	6630060
1	Mixer to Governor Adapter flat, spacer	8030030
1	Mixer to Governor Adapter o-ring smooth	2080010
1	Direct Electronic Pressure Regulator (DEPR)	6680050
1	DEPR Straight Fitting 1-1/4"	6680110
2	Mixer Diaphragm Replacement Kit	6610040

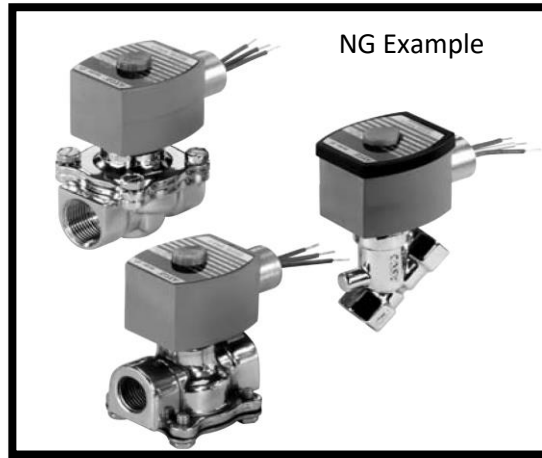
CNG Fuel System; Mixer, DEPR, Vapor Regulator



Quantity	Description	Part #
1	LP/NG Mixer	6600150
1	Mixer to Governor Adapter	6630060
1	Mixer to Governor Adapter flat, spacer	8030030
1	Mixer to Governor Adapter o-ring smooth	2080010
1	CNG Vapor Regulator	6610030
1	Vapor Regulator Fuel Outlet Fitting	6610020
1	Direct Electronic Pressure Regulator (DEPR)	6680050
1	DEPR 90 Deg Fitting - 3/4" Barb	6640040
1	Vapor Regulator Mounting Bracket	4020290
1	Mounting Bracket Support	4020300
4	Vapor Regulator Isolators (2 pictured)	65500001
A/R	Vapor Hose	VH34
2	Mixer Diaphragm Replacement Kit	6610040



Lockoff Valves

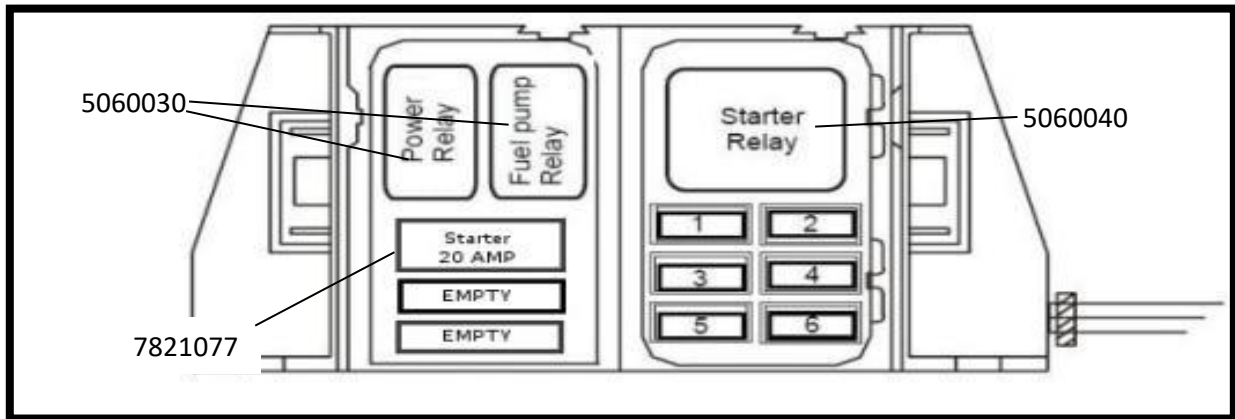
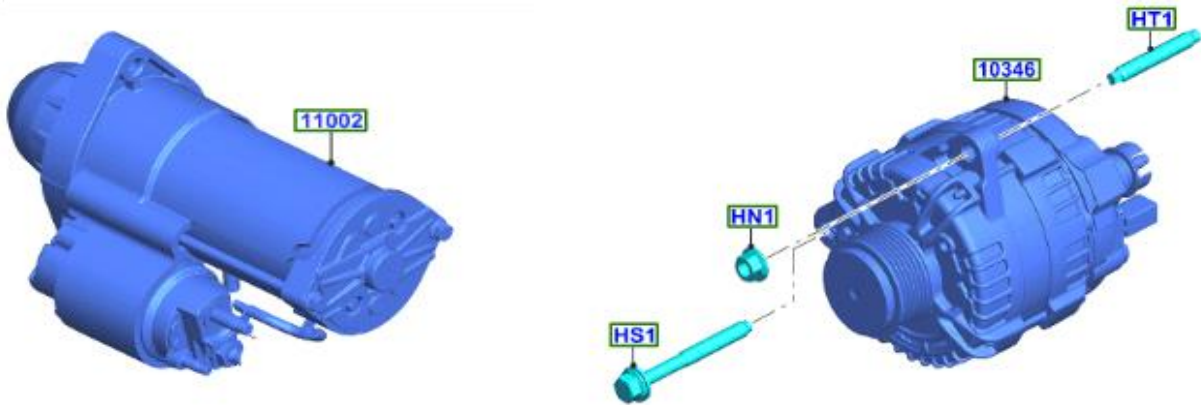


Quantity	Description	Part #
1	12V CNG Shutoff valve	N301652
1	12V NG Shutoff valve - 1-1/4" NPT	8214G261
1	12V LPG Shutoff Valve w/ filter	6690021

*Lock Off Accessories*

1	6690021 Filter Replacement	6630030
1	Shutoff Valve Connector kit	5010030A-2

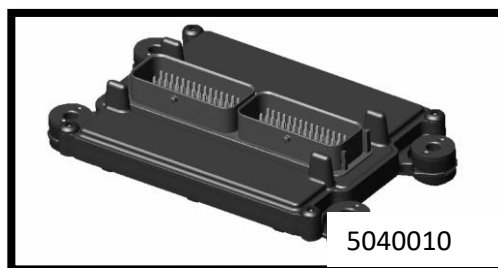
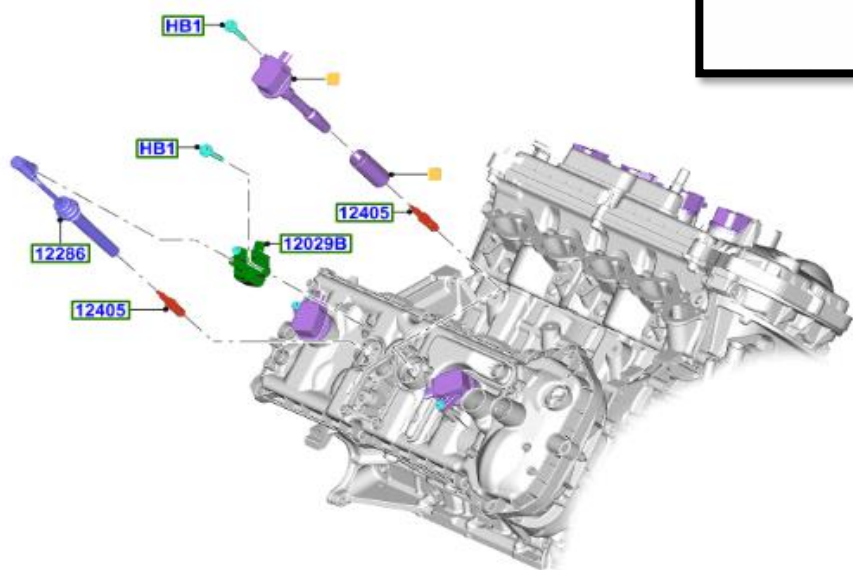
Starter, Charging System, and Relays



Quantity	Description	Part #
1	Starter (11002)	5120010
1	Alternator (10346)	PR3Z-10346-B (MC #: GL-9946)
1	Alternator Mounting Screw (HS1)	W715092-S437 (M10 X 90MM)
1	Alternator Mounting Stud (HT1)	W712609-S437 (M10 X 19.8MM + M10 X 33.3MM)
1	Alternator Nut (HN1)	W520414-S440 (M10 Nut)
2	Fuel Pump and Power Relays	5060030
1	Starter Relay	5060040
1	Relay Box Top	5210010
1	Relay Box Top Sticker	5210020
1	Fuse Box Mount, right	5210040
1	Fuse box mount, left	5210050
1	Starter Fuse 20 AMP	7821077

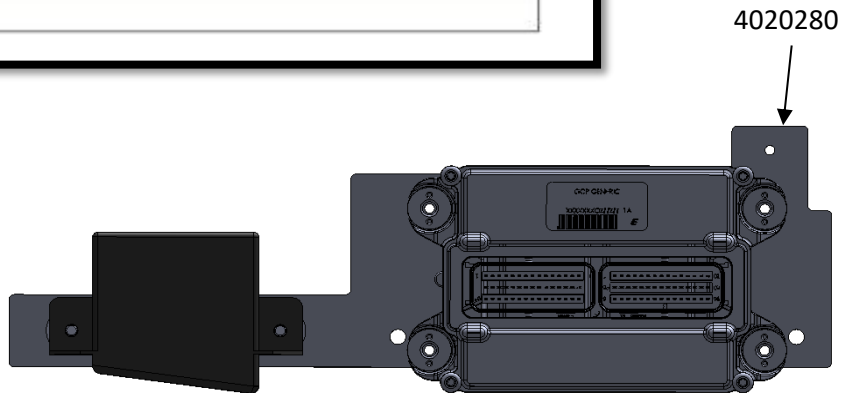
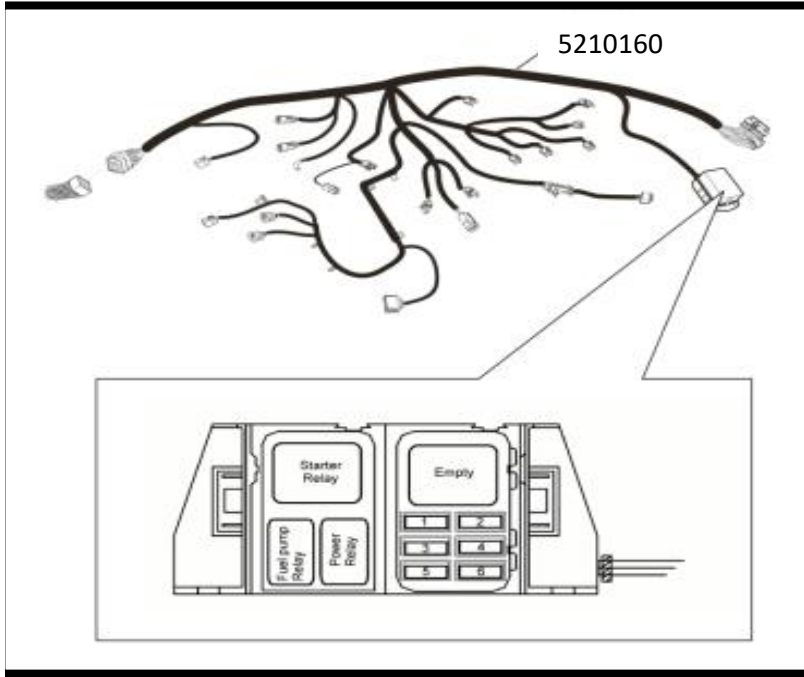
Ignition and Engine Control

■ = 12029A



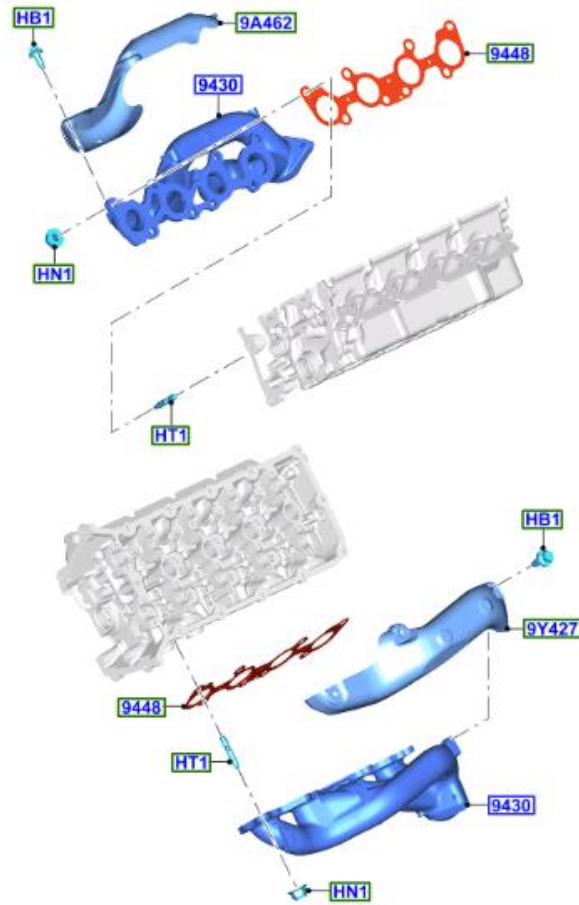
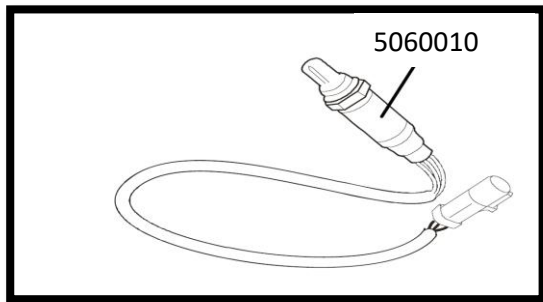
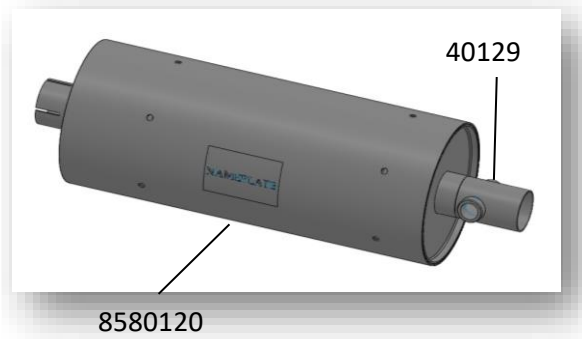
Quantity	Description	Part #
1	ECU (4G)	5040010
7	Coil Packs (12029A)	JR3Z-12029-A (MC#: DG-565)
1	Coil Pack (12029B)	JR3Z-12029-B (MC#: DG-566)
1	Ignition Wire Assembly	JR3Z-12286-A (MC#: WR-6155)
A/R	Ignition Coil Mounting Bolt (HB1)	W714507-S437 (M5 X 27MM)
8	Spark Plug (12405)	CYFS-12Y-T6

Harnesses and Misc.



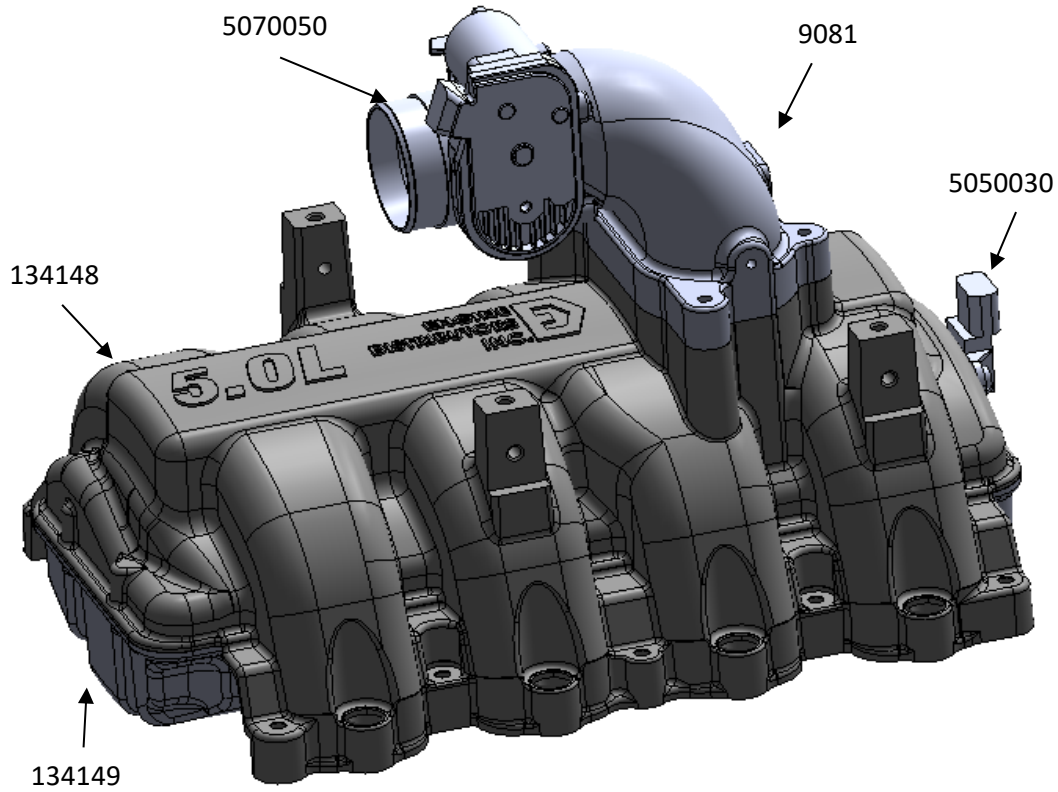
Quantity	Description	Part #
1	Engine Harness	5210160
1	Gasoline Fuel Block Harness	5260010
1	Fuel Injector Harness	5210180
2	Fuse box isolators	50959-5
1	ECU - Fusebox Bracket	4020280
1	GCP Connector Slide Lock	5240030
1	GCP Connector Cover	5240020
1	Diagnostic Software and Cable	5080050-1
1	Alternator Charge Cable	5220050

Exhaust System Components



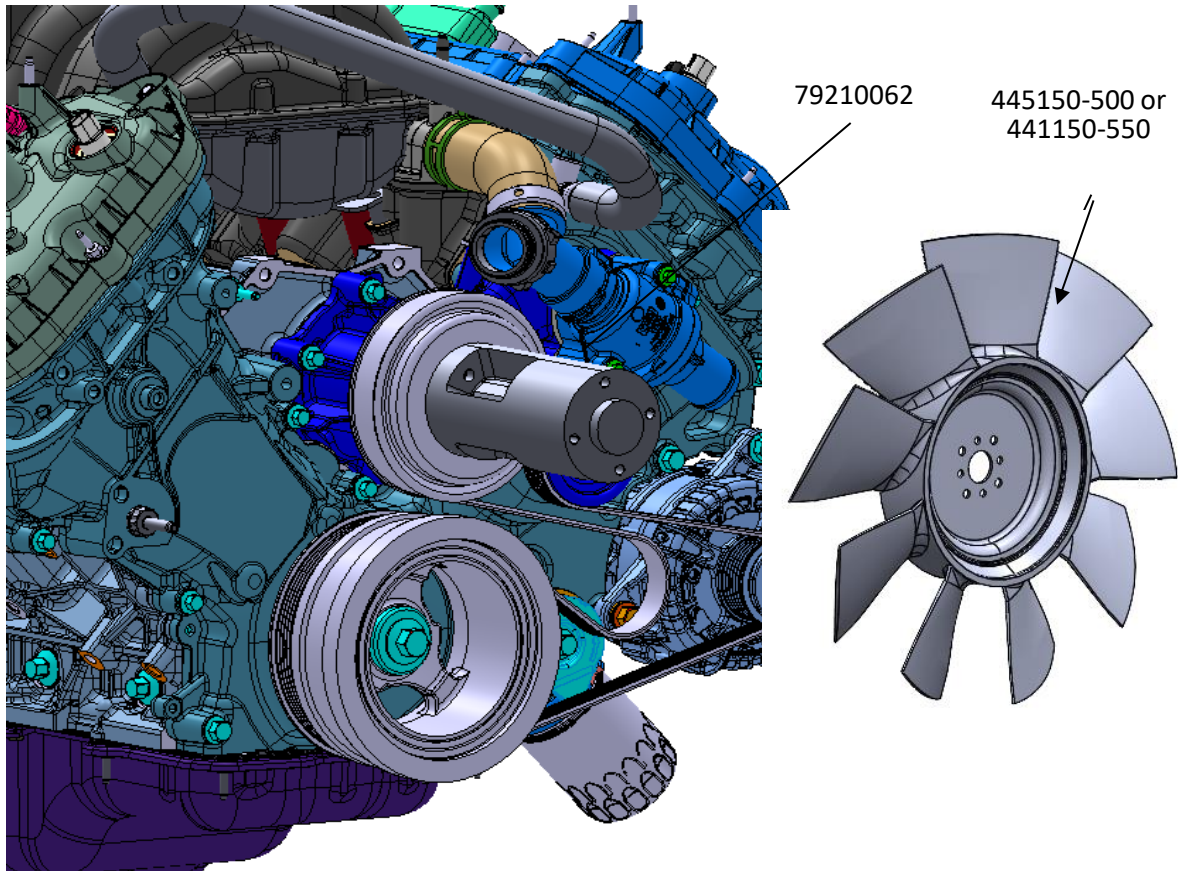
Quantity	Description	Part #
1	Catalyst Muffler	8580120
1	Cat Muffler O2 Plug (M18)	40129
1	R.H. Exhaust Manifold (9430)	FL3Z-9430-B
1	L.H. Exhaust Manifold (9430)	FL3Z-9431-A
1	R.H. Exhaust Manifold Heat Shield (9A462)	JL3Z-9A462-A
1	L.H. Exhaust Manifold Heat Shield (9A427)	JL3Z-9Y427-A
2	Exhaust Manifold gasket (9448)	FR3Z-9448-A
6	Heat Shield Mounting Bolts (HB1)	W716090-S437
16	Manifold Mounting Studs (HT1)	W714869-S901
16	Manifold Mounting Nuts (HN1)	W714870-S430
2	Exhaust O2 Sensor (pre and post catalyst)	5060010
1	Pre-Cat Sensor Pipe Bung	F5AC9J467CA
1	Y-Pipe	8530051
4	Y-Pipe to Manifold Studs	W716963-S900
4	Y-Pipe to Manifold Nuts	W520514-S440

Intake Air System



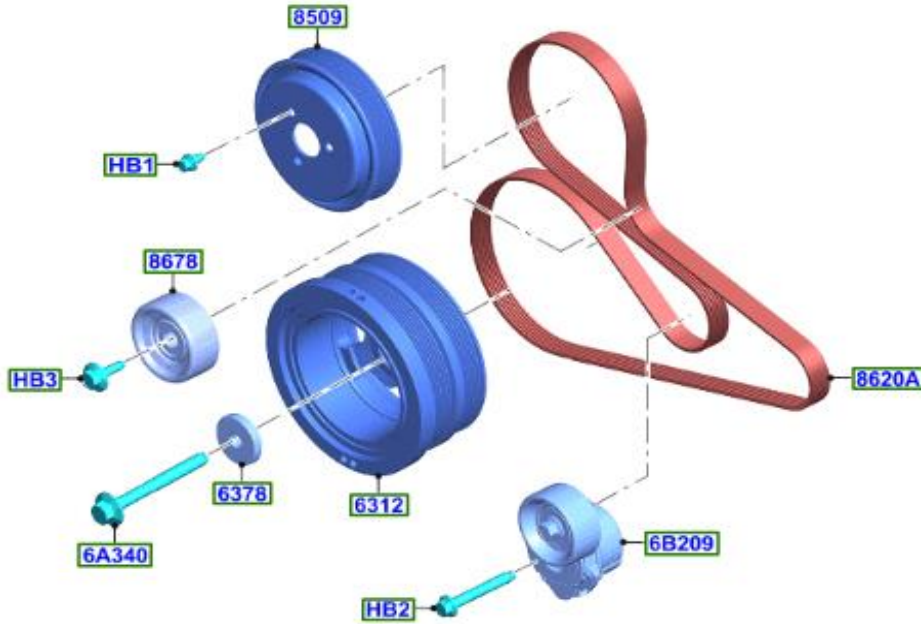
Quantity	Description	Part #
1	Bosch Governor	5070050
1	Bosch Governor Gasket	1U1L-9E936-BA
1	Gasket (Elbow to Intake)	F7UZ-9L437-AA
1	Intake Manifold (Upper)	134148
1	Intake Manifold (Lower)	134149
12	Lower to Upper Intake Manifold Bolts (M6x35MM)	A7-283
6	Intake Manifold to Head Bolts (M6x40MM)	11116240
1	Intake Gasket (Upper to Lower)	6220010
8	Intake Gasket (Intake to Head)	JL3Z-9439-A
1	TMAP Sensor	5050030
1	Intake to Throttle Elbow	908102

Cooling Fan Drive and Fans



Quantity	Description	Part #
1	Fan Spacer	79210062
1	22" Pusher Fan	445150-550
1	22" Suction Fan	441150-550

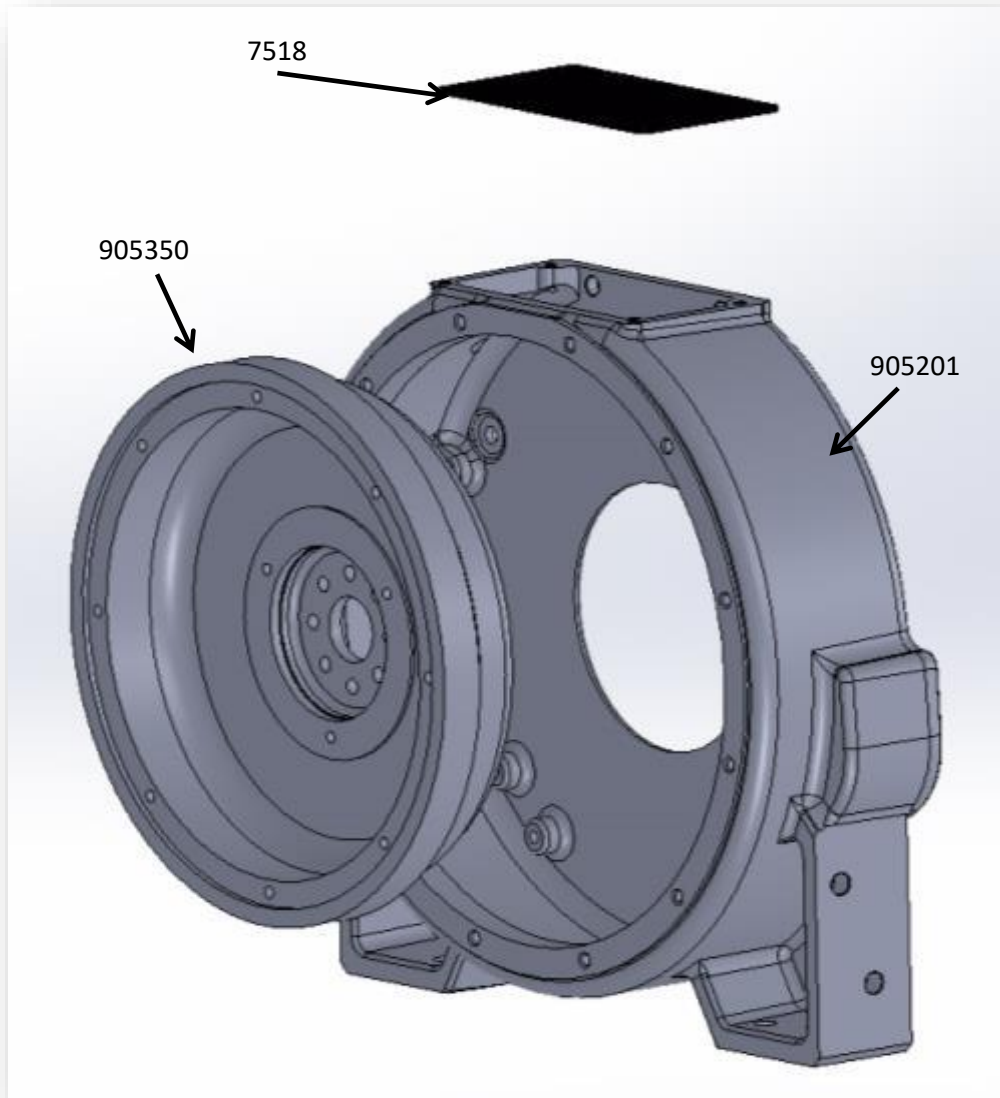
FEAD



Quantity	Description	Part #
1	Main Drive Belt (8620A)	PR3Z-8620-C
1	Smooth Idler Pulley (8678)	KR3Z-8678-A
1	Idler Pulley Bolt (HB3)	W716498-S437 (M8 X 27MM)
1	Tensioner (6B209)	JR3Z-6B209-A
1	Tensioner Bolt (HB2)	W709638-S439 (M10 X 70MM)
1	Water Pump Pulley (8509)	BR3Z-8509-HA
3	Water Pump Pulley Bolts (HB1)	W717103-S437 (M8 X 14MM)
1	Crank Pulley w/ Dampener (6312)	NR3Z-6312-A
1	Crank Dampener Bolt (6A340)	LC3Z-6A340-A
1	Crank Bolt Washer (6378)	N807033-S439

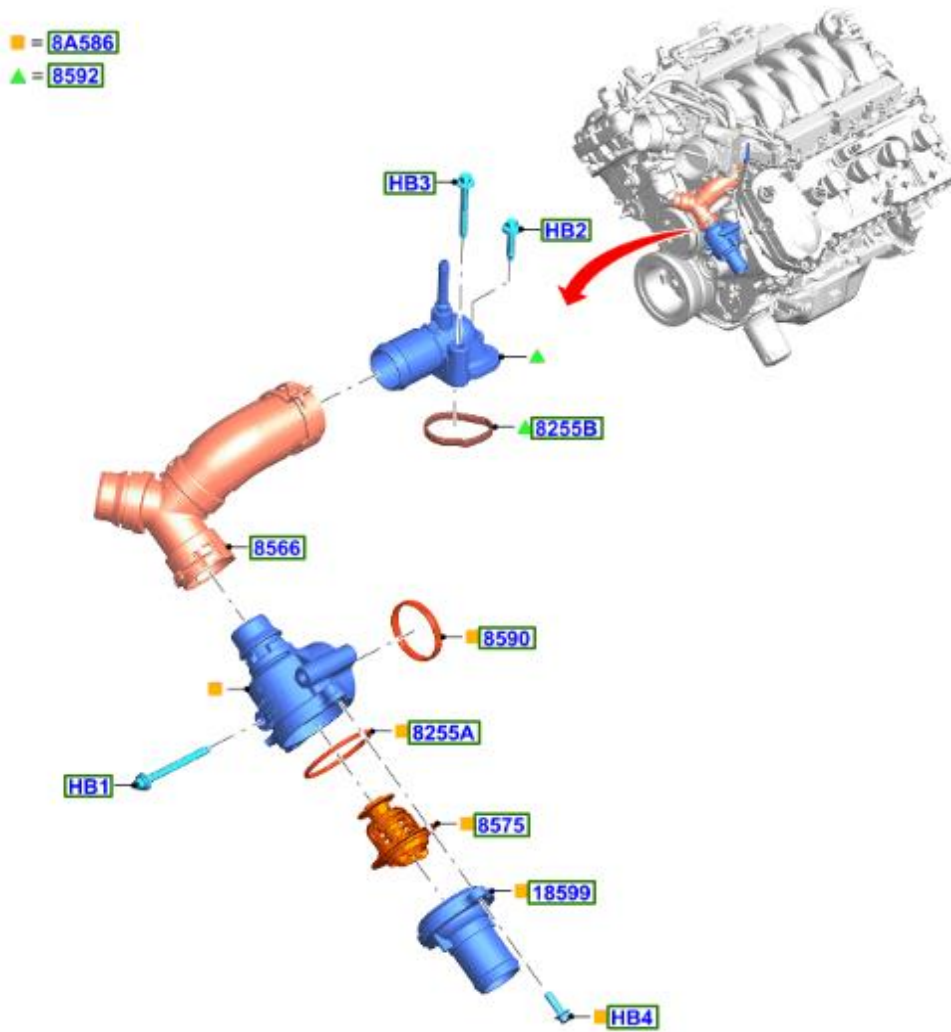


Flywheel and Housings



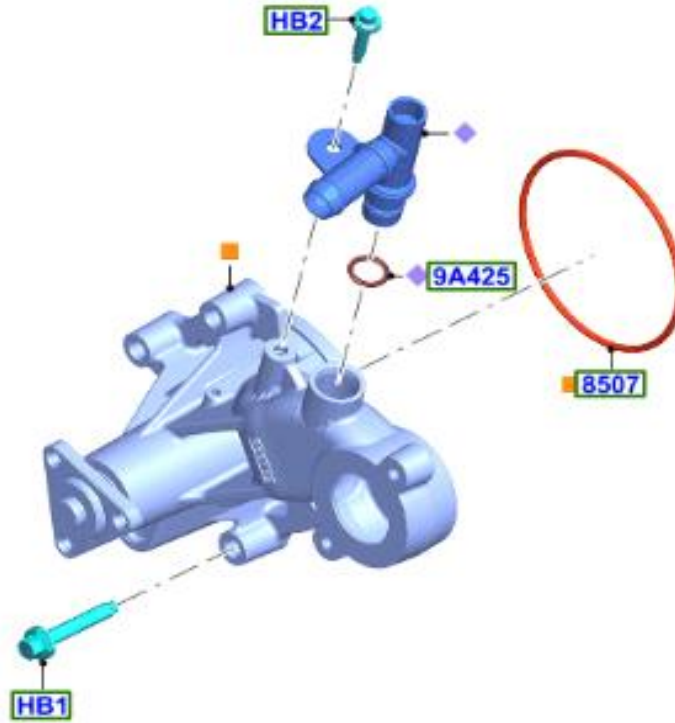
Quantity	Description	Part #
1	SAE 3 Housing	905201
1	SAE 11.5" Flywheel	905350
8	SAE 11.5" Flywheel to crank Bolts	F6ZZ-6379-AA
1	Inspection Cover	131684

Thermostat Assembly



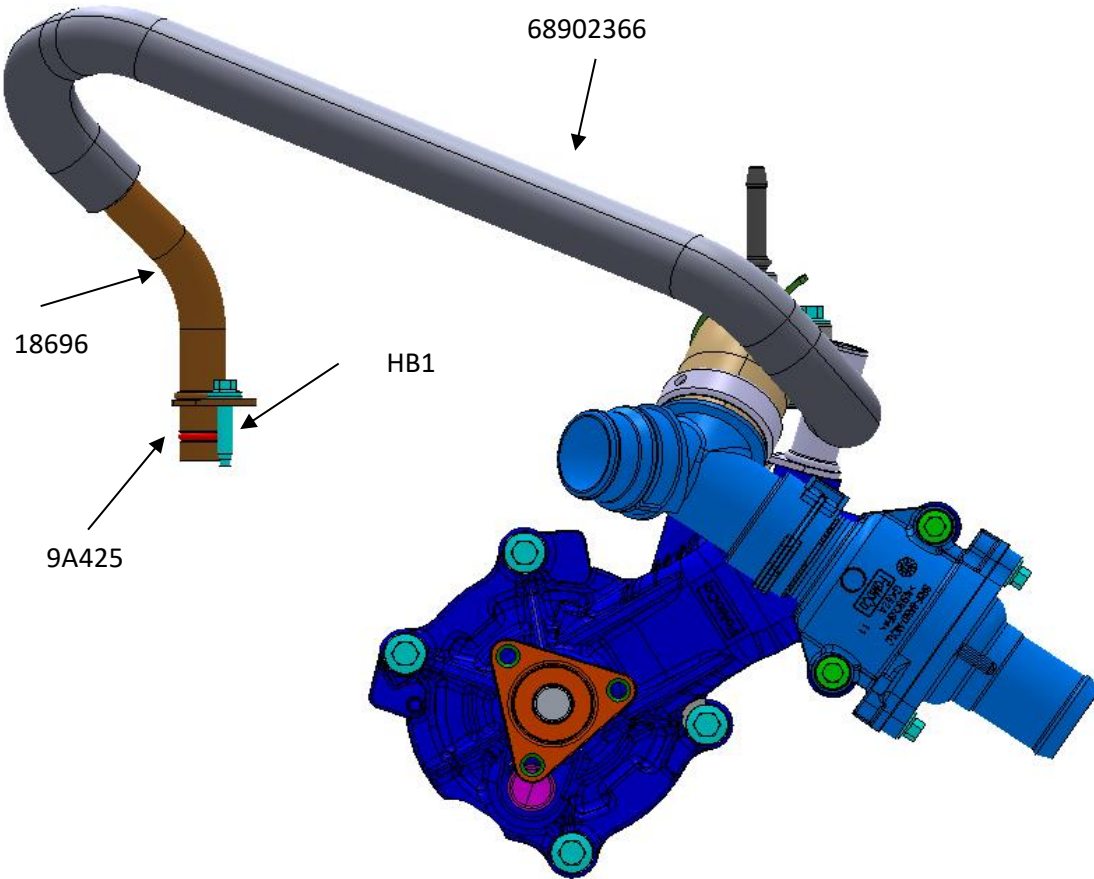
Quantity	Description	Part #
1	T-Connector (8566)	PR3Z-8566-A
1	Water Outlet Connection (8592)	FR3Z-8592-A
1	Gasket, Water Outlet Connection (8255B)	BR3Z-8255-B
1	Water Outlet Connection Bolt (HB2)	W503278-S437 (M6 X 27MM)
1	Water Outlet Connection Bolt (HB3)	W716702-S437 (M6 X 48MM)
1	Thermostat Housing (8A586)	BR3Z-8A586-N
2	Thermostat Housing Bolt (HB1)	W713197-S437 (M6 X 70MM)
1	Thermostat Housing Seal (8590)	KR3Z-8590-A
1	Thermostat Gasket (8255A)	BR3Z-8255-A
1	Thermostat (8575)	BR3Z-8575-G
1	Water Inlet Connection (18599)	BR3Z-18599-A
2	Water Inlet Connection Bolt (HB4)	W500014-S437 (M6 X 20MM)

Water Pump Assembly



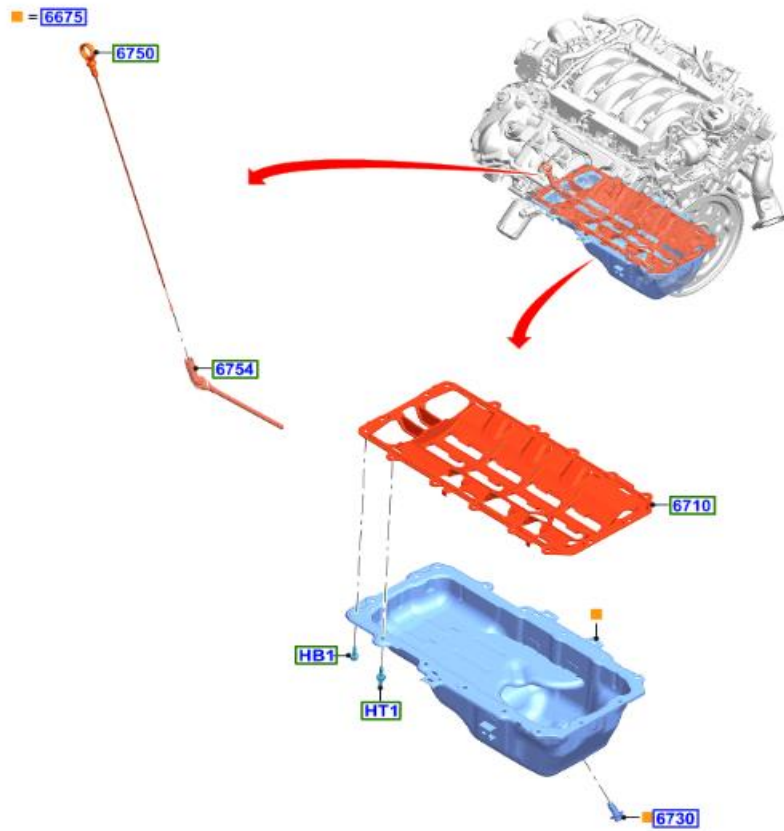
Quantity	Description	Part #
1	Water Pump Assembly ( <span style="color: yellow;">■</span> )	BR3Z-8501-S
1	Water Pump Gasket (8507)	F1VY-8507-A
4	Water Pump Bolts (HB1)	W714925-S437 (M8 X 47MM)
1	Water Tube ( <span style="color: purple;">◆</span> )	PR3Z-18663-A
1	Water Tube Seal (9A425)	AC3Z-8527-A
1	Water Tube Bolt (HB2)	W503278-S437 (M6 x 27MM)

**Bypass Hose**



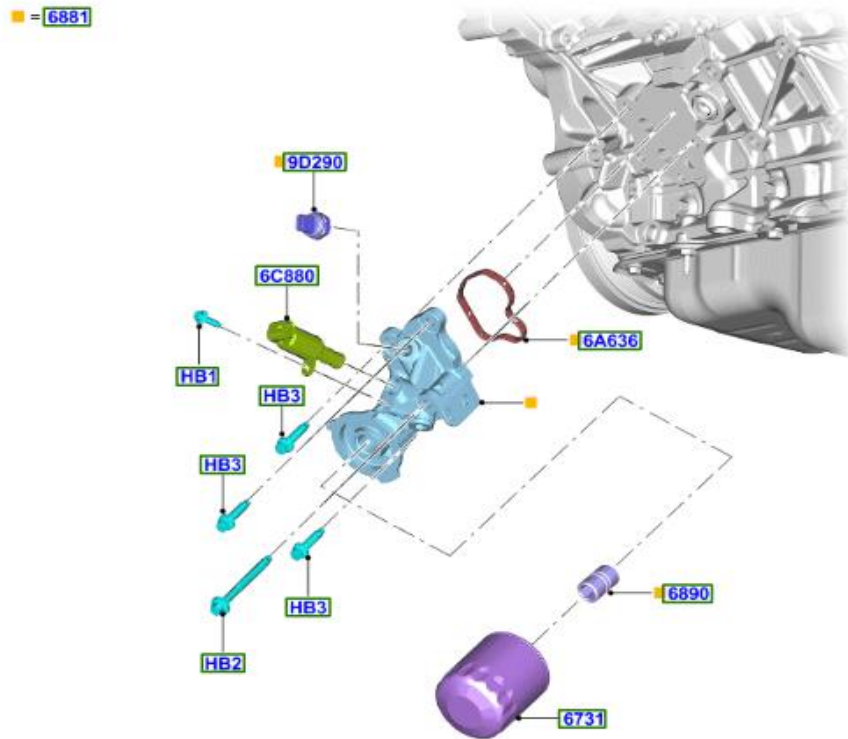
Quantity	Description	Part #
1	Water Heater Tube (18696)	JR3Z-18696-A
1	Water Heater Bypass Hose	68902366
1	Water Heater Tube Seal (9A425)	AC3Z-8527-A
1	Water Heater Tube Bolt (HB1)	W503278-S437 (M6 X 27MM)

Oil Pan, Plug and Dipstick



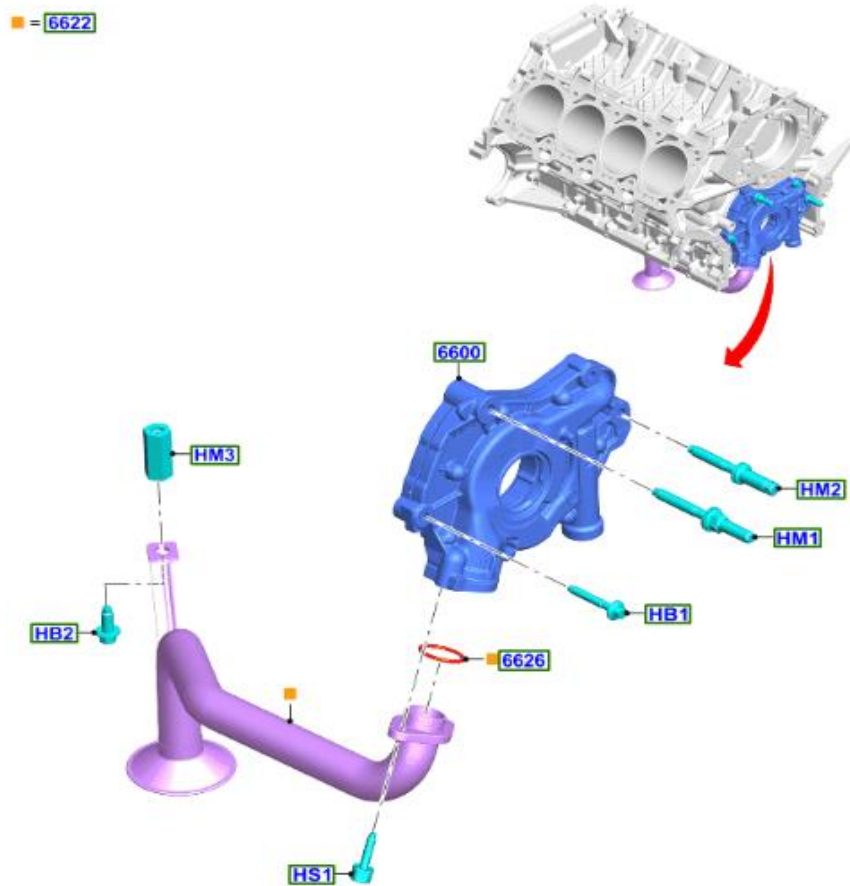
Quantity	Description	Part #	Notes
1	Oil Pan (6675)	PR3Z-6675-C	
1	Oil Pan Gasket (6710)	BR3Z-6710-A	
1	Oil drain plug (6730)	EJ7Z-6730-B	
1	Oil Indicator Standard (6750)	PR3Z-6750-B	
1	Oil Indicator Tube (6754)	JR3Z-6754-A	
1	Stud (HT1)	W714963-S437	
1	Oil Pan Bolt (HB1)	W714962-S437	M6 X 22MM
***9.5 Quarts refill of 5W-30			

Oil Cooler and Filter



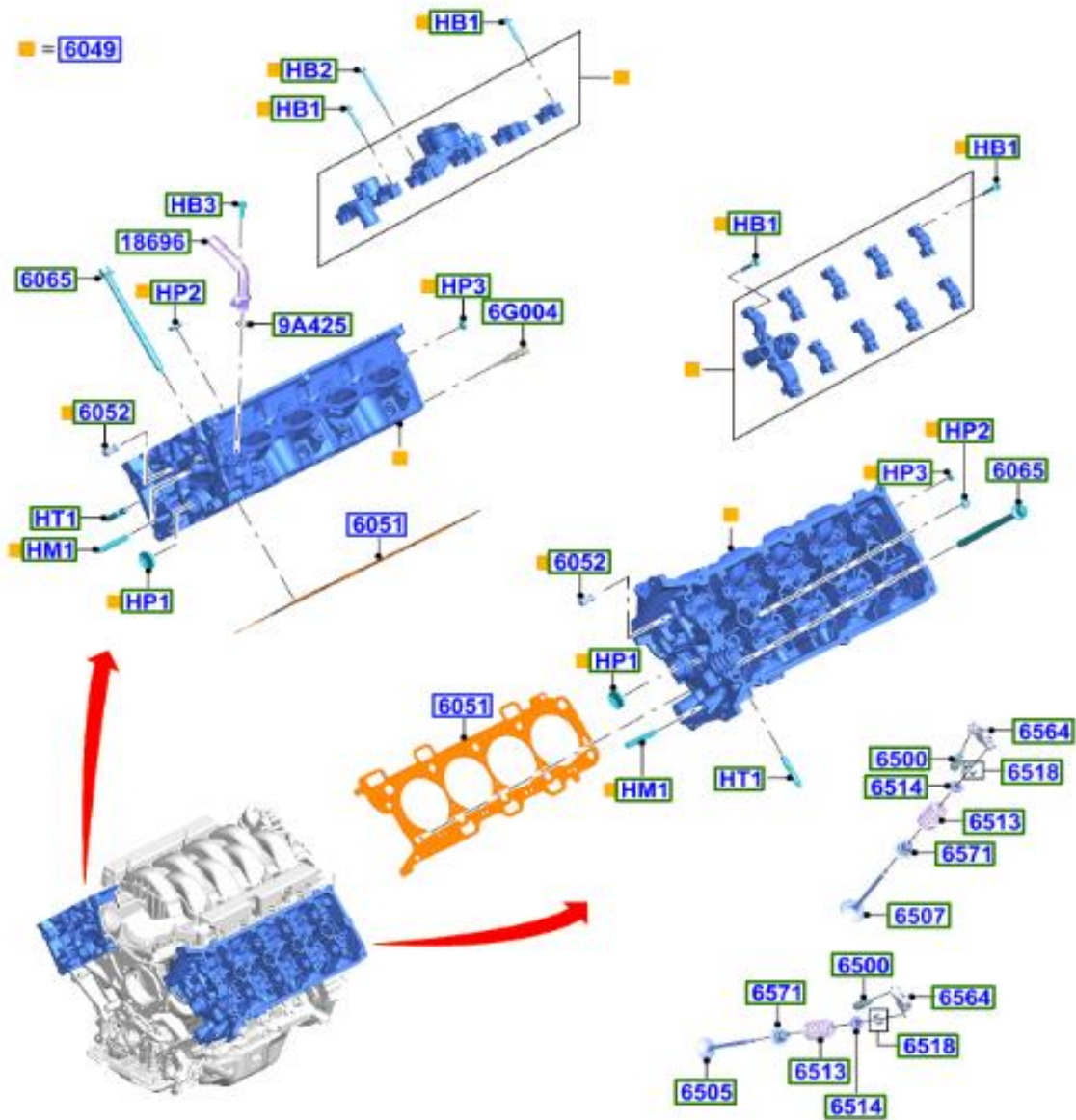
Quantity	Description	Part #	Notes
1	Oil Filter (6731)	AA5Z-6714-A	MC #: FL-500-S
1	Oil Sender (9D290)	GN1Z-9D290-F	
1	Threaded Bush (6890)	AL3Z-6890-A	
1	Oil Filter Adapter (6881)	PR3Z-6881-B	
1	Adapter Gasket (6A636)	JR3Z-6840-A	
1	Bolt (HB2)	W503306-S437	M8 X 80MM
3	Bolt (HB3)	W714974-S437	M8 X 33MM
***9.5 Quarts refill of 5W-30			

Oil Pump Assembly



Quantity	Description	Part #
1	Oil Pump Assembly (6600)	PR3Z-6600-A
1	Oil Pickup Tube (6622)	KR3Z-6622-A
1	Oil Pump Gasket (6626)	HL3Z-6626-A
1	Stud and Washer (HM1)	W714251-S300
1	Stud and Washer (HM2)	W714252-S300 (M8 X 45MM)
1	Spacer (HM3)	N806180-S2
A/R	Oil Pump Bolt (HB1)	N806183-S437 (M6 X 42.5MM)
1	Oil Pickup Tube Bolt (HB2)	W500222-S437 (M8 X 16MM)
2	Oil Pickup to Pump Screw (HS1)	W719827-S437 (M6 X 25MM)

Base Engine Components



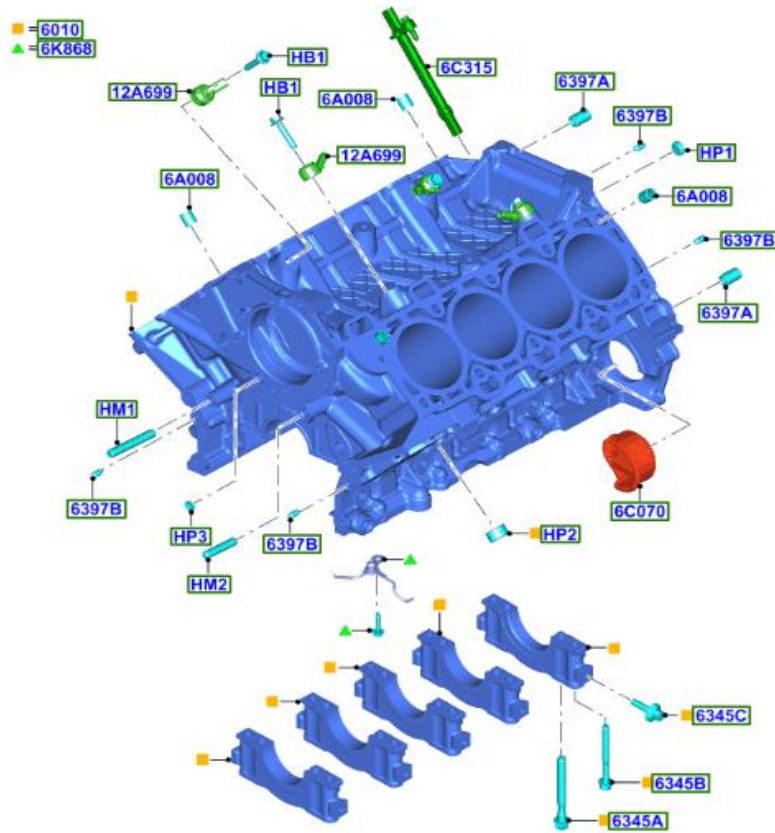
\*\*Parts listing on next page\*\*



## Base Engine Components (cont.)

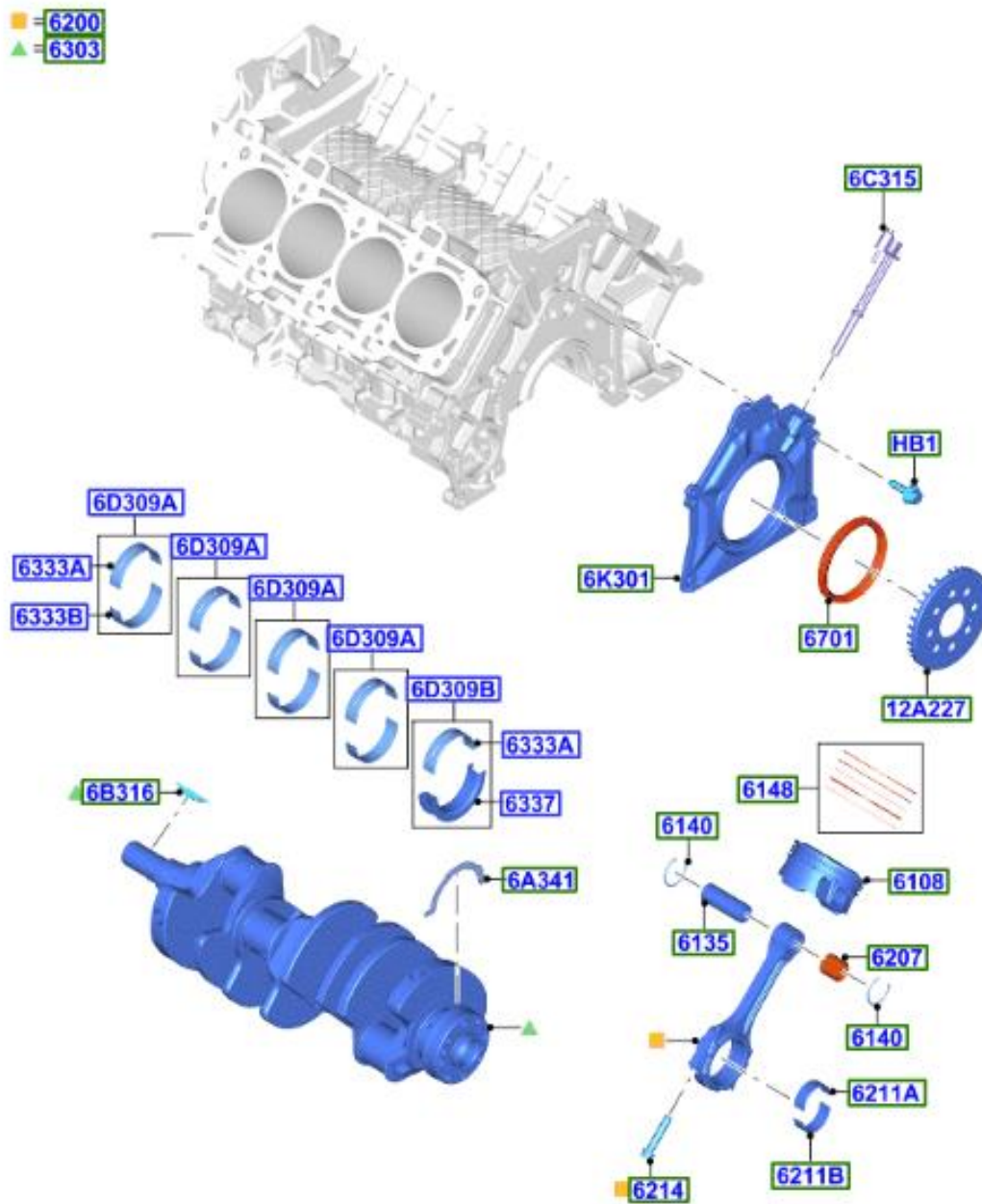
Quantity	Description	Part #	Notes
1	Cylinder Head Assembly RH (6049)	NR3Z-6049-A	
1	Cylinder Head Assembly LH (6049)	NR3Z-6049-B	
1	Cylinder Head Temperature Sensor (6G004)	JL3Z-6G004-A	
1	Cylinder Head Gasket RH (6051)	JR3Z-6051-E	
1	Cylinder Head Gasket LH (6051)	JR3Z-6051-F	
32	Valve Spring Retainer (6514)	9L8Z-6514-A	
20	Cylinder Head Bolt (6065)	JR3Z-6065-C	
32	Tappet Assembly (6500)	BR3Z-6500-A	
16	Exhaust Valve (6505)	JL3Z-6505-A	
16	Intake Valve (6507)	JL3Z-6507-A	
32	Intake/Exhaust Valve Spring (6513)	JR3Z-6513-B	
64	Valve Spring Retainer Collet (6518)	F5RZ-6518-B	Sold as packs of 12
32	Rocker Arm Valve Assembly (6564)	ML3Z-6564-A	
32	Stem Seal Valve (6571)	JR3Z-6571-A	
4	Cylinder Head Plug (6052)	FL3Z-00933-A	
A/R	Bolt, M6 X 42.5MM (HB1)	N806183-S437	
4	Bolt, M6 X 57.5MM (HB2)	W716701-S437	
A/R	Dowel (HM1)	W714258-S300	
A/R	PLUG, 32MM Ø (HP1)	W528090-S300	
A/R	PLUG, 16MM Ø (HP2)	W528084-S300	
A/R	PLUG, 12 MM Ø (HP3)	W528082-S300	
A/R	STUD, M10 (HT1)	W714869-S901	

Base Engine Components 2



Quantity	Description	Part #	Notes
4	Dowel Pin, M16 X 19MM (6A008)	F8AZ-6A008-AA	
1	Cylinder Block (6010)	PR3Z-6010-A	
1	Inspection Cover Plug (6C070)	F3LY-6C070-A	
1	Crankshaft Position Sensor (CPS) (6C315)	JR3Z-6C315-A	
10	Bearing End Cap Inner Bolts (6345A)	BR3Z-6345-B	
10	Bearing End Cap Outer Bolts (6345B)	BR3Z-6345-C	
10	Bearing End Cap Side Bolts (6345C)	BR3Z-6345-D	
A/R	Straight Dowel, Hollow 16MM (6397A)	F5RZ-6397-C	
A/R	Straight Dowel, Pin 8MM X 18.25 (6397B)	W701228-S300	
4	Piston Cooling Nozzle (6K868)	MR3Z-6K868-A	
2	Knock Sensor (12A699)	JR3Z-12A699-A	
A/R	BOLT, M8 X 38MM (HB1)	W705128-S437	
A/R	DOWEL PIN (HM1)	W714258-S300	
A/R	PIN, M10 X 49.25 (HM2)	W701501-S	
A/R	PLUG, 19MM Ø (HP1)	W720518-S437U	
4	PLUG, 3/4" (HP2)	W528114-S446	
1	PLUG (HP3)	W528003-S900	

Base Engine Components 3

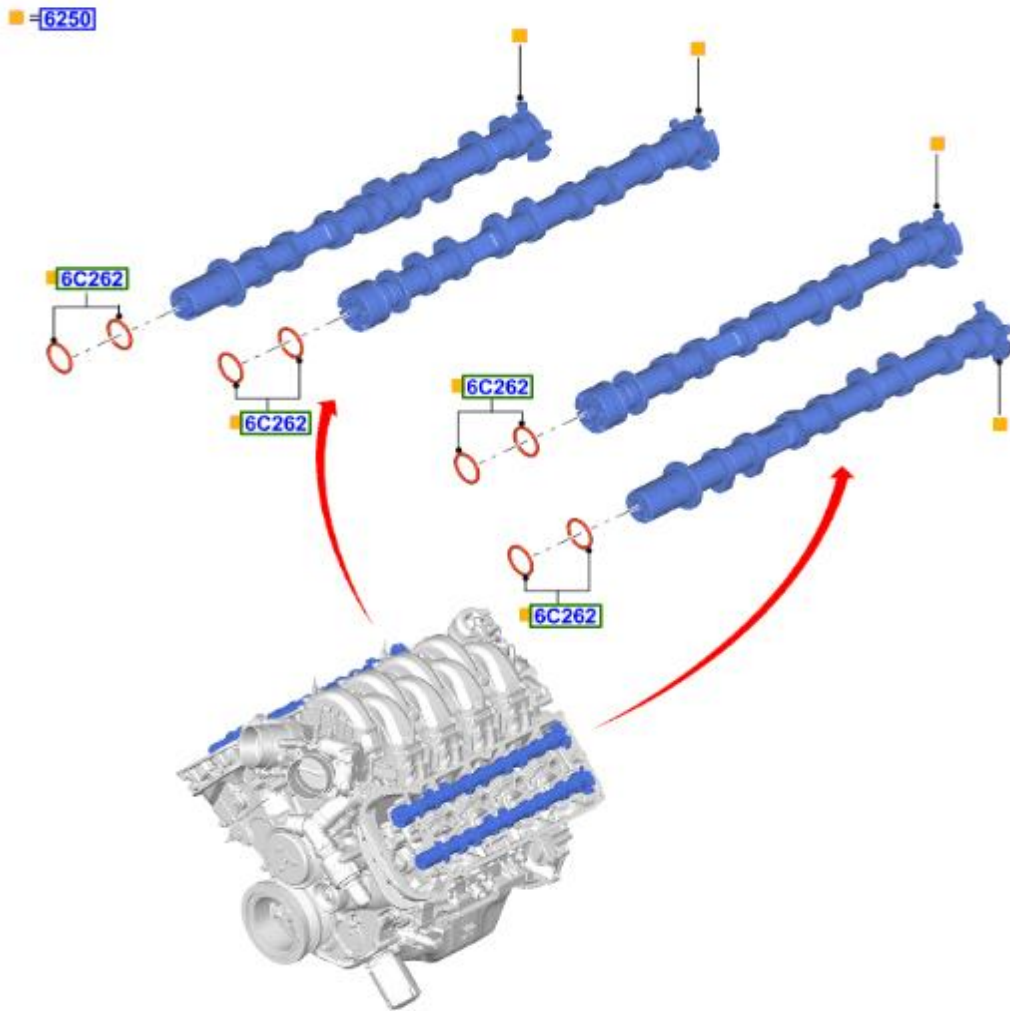


\*\*Parts listing on next page\*\*

Base Engine Components 3 (cont.)

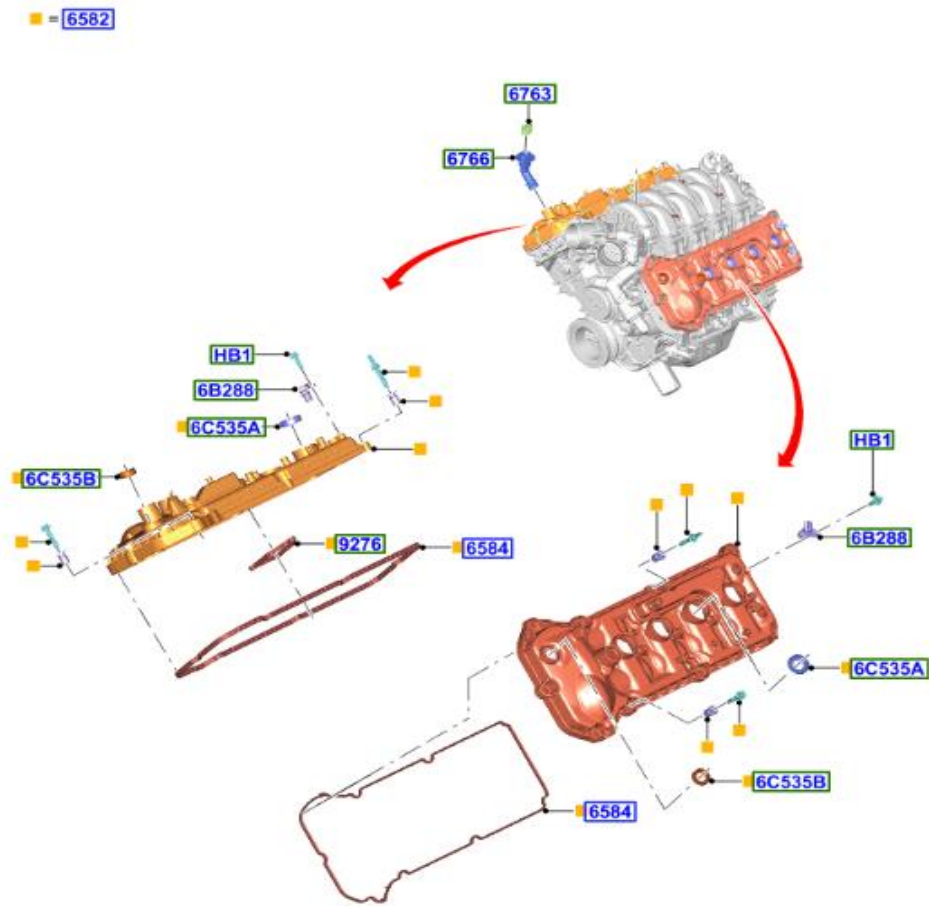
Quantity	Description	Part #	Notes
8	Piston (6108)	ML3Z-6108-F	Wrist Pin and Retainer Sold Separate
A/R	Piston Pin (6135)	ML3Z-6135-A	
A/R	Piston Pin Retainer (6140)	BR3Z-6140-A	
A/R	Piston Ring Kit (6148)	ML3Z-6148-A	
8	Connecting Rod Assembly (6200)	ML3Z-6200-A	
8	Rod Bushing (6207)	8R3Z-6207-A	
A/R	Connecting Rod Bearing (6211A)	JR3Z-6211-A	
A/R	Connecting Rod Bearing (6211B)	JR3Z-6211-B	
A/R	Connecting Rod Bolts (6214)	BR3Z-6214-B	Sold as Packs of 2
1	Rear Main Seal (6K301)	JR3Z-6K301-A	
1	Rear Crankshaft Oil Seal (6701)	JR3Z-6701-A	
1	Crankshaft Assembly (6303; ▲)	MR3Z-6303-A	
1	Woodruff Key (6B316)	F1AZ-6B316-AA	
A/R	Standard Grade 1 Crankshaft Bearing Set (6D309A)	JU7Z-6D309-A	
A/R	Standard Grade 2 Crankshaft Bearing Set (6D309A)	JU7Z-6D309-B	
A/R	Standard Grade 3 Crankshaft Bearing Set (6D309A)	JU7Z-6D309-C	
A/R	Standard Grade 1 Crankshaft Bearing Set (6D309B)	JU7Z-6D309-D	
A/R	Standard Grade 2 Crankshaft Bearing Set (6D309B)	JU7Z-6D309-E	
A/R	Standard Grade 3 Crankshaft Bearing Set (6D309B)	JU7Z-6D309-F	
1	Standard Grade 1 Crank. Thrust Bearing (6337)	JR3Z-6337-A	
1	Standard Grade 2 Crank. Thrust Bearing (6337)	JR3Z-6337-B	
1	Standard Grade 3 Crank. Thrust Bearing (6337)	JR3Z-6337-C	
1	Crankshaft Thrust Bearing Washer (6A341)	AL3Z-6A341-A	
1	Crank Sensor (6C315)	JR3Z-6C315-A	
1	Reluctor Wheel (12A227)	JR3Z-12A227-A	
A/R	Standard Grade 1, Upper Crankshaft Bearing (6333A)	JR3Z-6333-H	Positions 2-5
A/R	Standard Grade 2, Upper Crankshaft Bearing (6333A)	JR3Z-6333-J	Positions 2-5
A/R	Standard Grade 3, Upper Crankshaft Bearing (6333A)	JR3Z-6333-K	Positions 2-5
A/R	Standard Grade 1, Upper Crankshaft Bearing (6333A)	JR3Z-6333-L	Position 1
A/R	Standard Grade 2, Upper Crankshaft Bearing (6333A)	JR3Z-6333-M	Position 1
A/R	Standard Grade 3, Upper Crankshaft Bearing (6333A)	JR3Z-6333-N	Position 1
A/R	Standard Grade 1, Lower Crankshaft Bearing (6333B)	JR3Z-6333-B	Positions 2-4
A/R	Standard Grade 2, Lower Crankshaft Bearing (6333B)	JR3Z-6333-C	Positions 2-4
A/R	Standard Grade 3, Lower Crankshaft Bearing (6333B)	JR3Z-6333-D	Positions 2-4
A/R	Standard Grade 1, Lower Crankshaft Bearing (6333B)	JR3Z-6333-P	Position 1
A/R	Standard Grade 2, Lower Crankshaft Bearing (6333B)	JR3Z-6333-R	Position 1
A/R	Standard Grade 3, Lower Crankshaft Bearing (6333B)	JR3Z-6333-S	Position 1

Camshaft



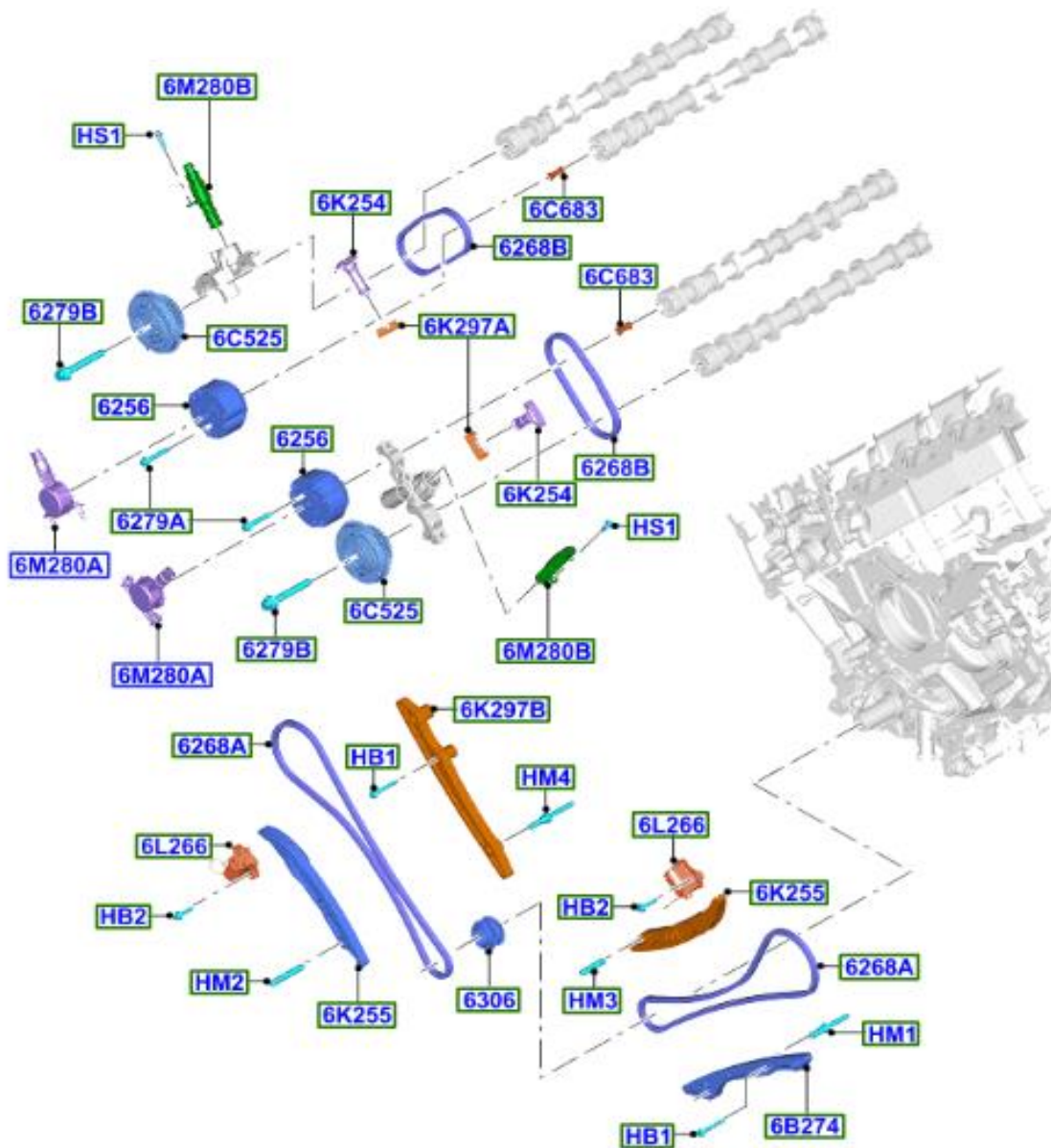
Quantity	Description	Part #
1	Camshaft, RH, Exhaust (6250)	PR3Z-6250-A
1	Camshaft, LH, Exhaust (6250)	PR3Z-6250-B
1	Camshaft, RH, Intake (6250)	PR3Z-6250-C
1	Camshaft, LH, Intake (6250)	PR3Z-6250-D
1	Camshaft Seal (6C262)	FT4Z-6C262-A

Camshaft Covers (Valve Covers)



Quantity	Description	Part #
4	Camshaft Position Sensor (6B288)	HX7Z-6B288-A
A/R	Valve, VCT Seal (6C535A)	NR3Z-6C535-A
A/R	Valve, Spark Plug Seal (6C535B)	NR3Z-6C535-B
1	Camshaft - Cover, LH	NR3Z-6582-E
1	Camshaft - Cover, RH	PR3Z-6582-B
1	Gasket, LH (6584)	JL3Z-6584-D
1	Gasket, RH (6584)	JL3Z-6584-C
1	Pipe Asy (6763)	HL3Z-6763-B
1	Cap Assembly, Oil Filler 5W-30 (6766)	F2GZ-6766-A
1	Seal (9276)	JR3Z-9276-B
1	Bolt & Washer (HB1)	W715662-S442 (M5 X 20MM)

Timing



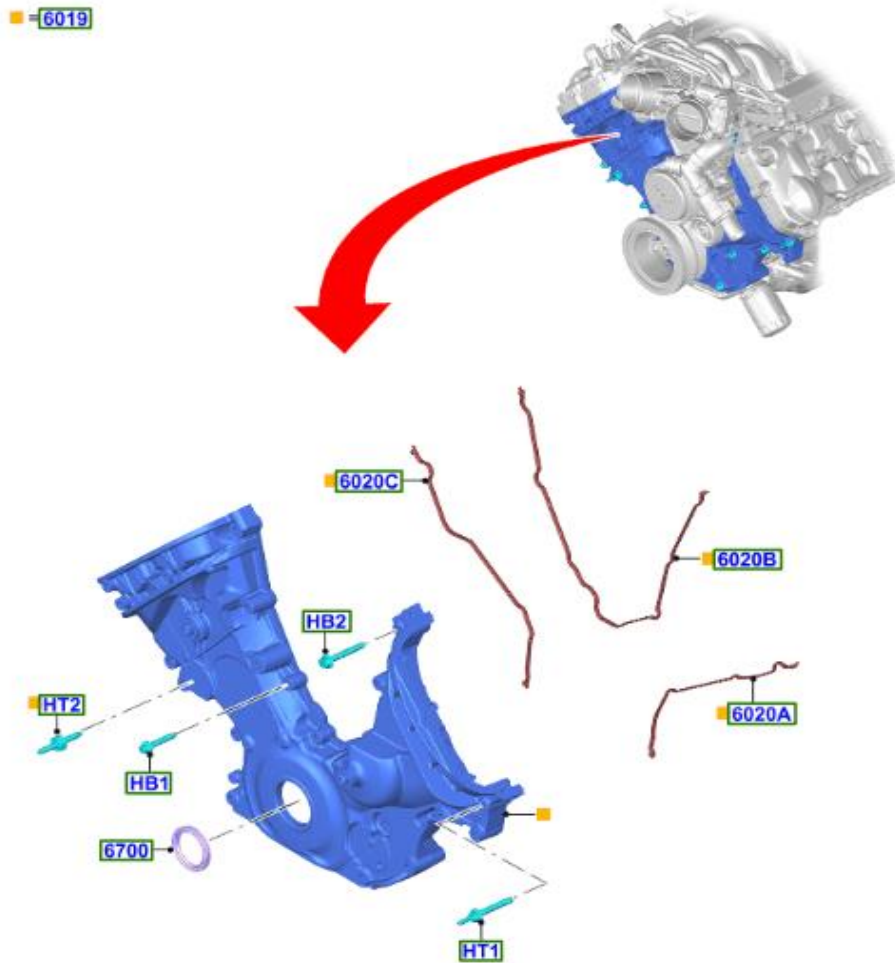
\*\*Parts listing on next page\*\*

## Timing (cont.)

Quantity	Description	Part #
2	Secondary Timing Chain Tensioner (6K254)	ML3Z-6K254-A
2	Timing Chain Tensioner Arm (6K255)	JL3Z-6K255-A
2	Camshaft Sprocket (6256)	ML3Z-6256-B
2	Primary Timing Chain Tensioner (6L266)	JL3Z-6L266-C
2	Primary Timing Chain (6268A)	FR3Z-6268-A
2	Secondary Timing Chain (6268B)	BR3Z-6268-A
1	Timing Belt Guide (6B274)	JL3Z-6B274-B
2	Camshaft Sprocket Bolt (6279A)	BR3Z-6279-A
2	Camshaft Gear Bolt (6279B)	JR3Z-6279-A
2	Intake Cam Variable Valve Timing Solenoid (6M280A)	BR3Z-6M280-F
2	Secondary Timing Chain Guide (6K297A)	ML3Z-6K297-A
1	Primary Timing Chain Guide (6K297B)	JL3Z-6M256-A
2	Crankshaft Gear (6306)	KR3Z-6306-B
2	Exhaust Cam Gear (6C525)	JR3Z-6C525-A
2	Filter Assy (6C683)	9L8Z-6C683-A
A/R	BOLT, M6 X 45MM (HB1)	W503282-S437
A/R	BOLT, M6 X 28MM (HB2)	W718243-S437
A/R	STUD & WASHER (HM1)	W714252-S300
A/R	DOWEL (HM2)	W714258-S300
A/R	PIN (HM3)	W701501-S
A/R	STUD & WASHER (HM4)	W714251-S300
A/R	SCREW, M6 X 20MM (HS1)	W500214-S437

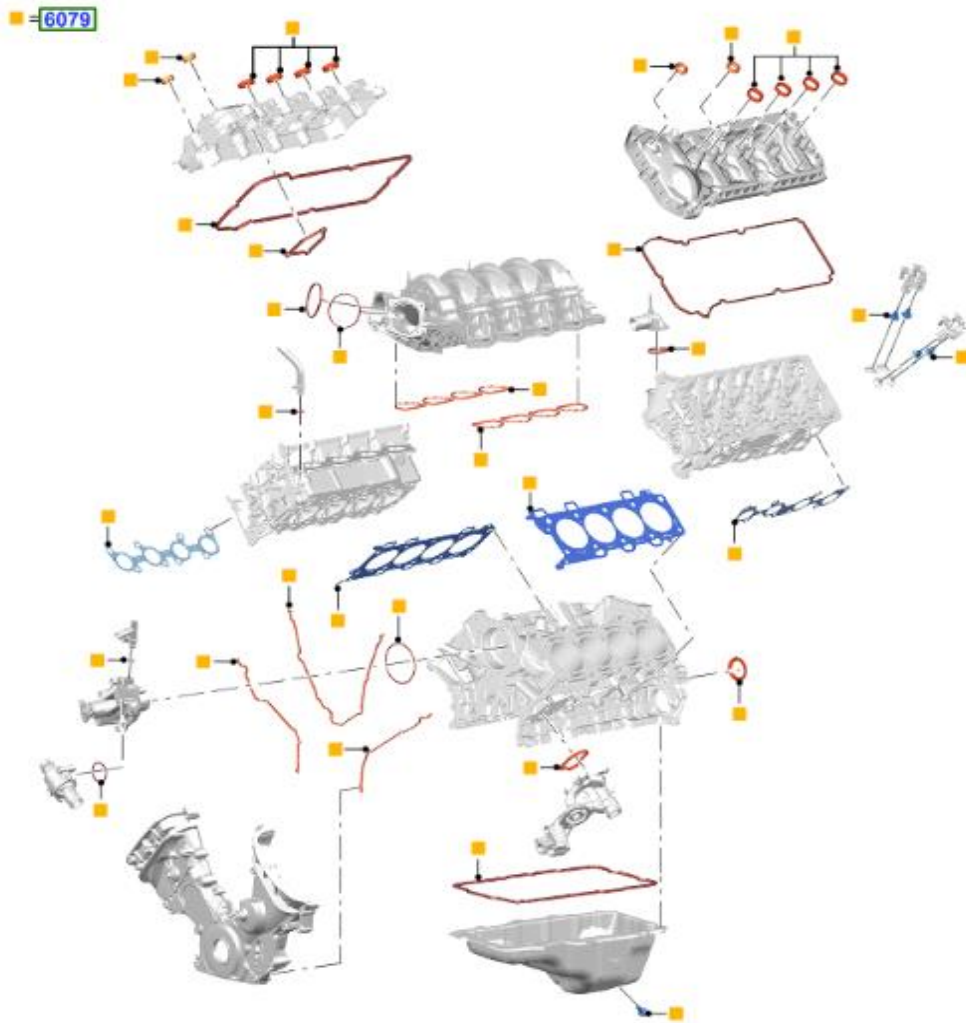


Timing Gear Covers

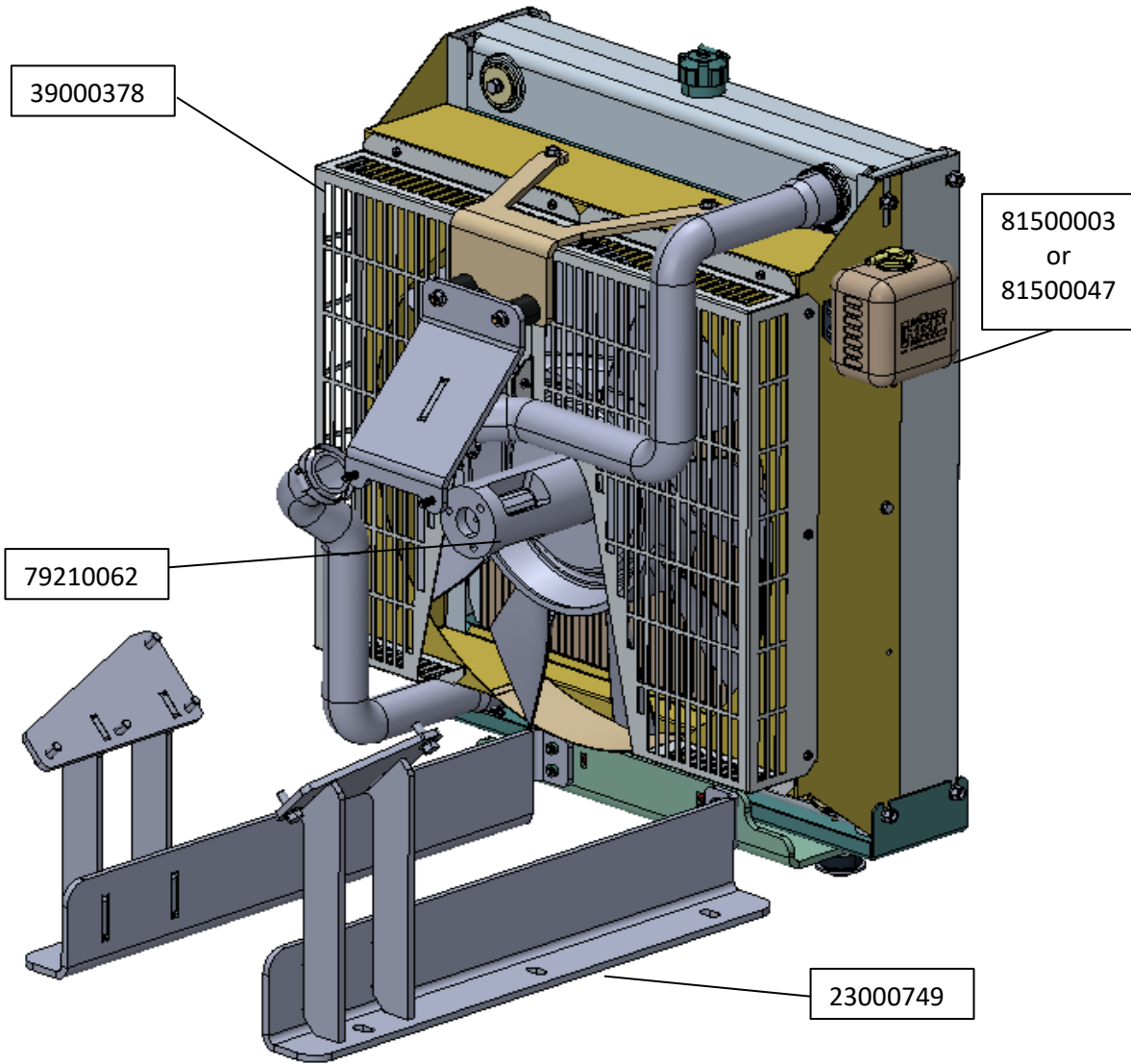


Quantity	Description	Part #
1	Cover (6019)	JR3Z-6019-C
1	Front Cover, LH Gasket (6020A)	BR3Z-6020-B
1	Front Cover, Center Gasket (6020B)	BR3Z-6020-C
1	Front Cover, RH Gasket (6020C)	BR3Z-6020-D
1	Crankshaft Seal, Front (6700)	GK2Z-6700-A
A/R	BOLT, M8 X 47MM (HB1)	W714925-S437
A/R	BOLT, M8 X 57MM (HB2)	W716773-S437
A/R	STUD, M6 X 20MM, M8 X 57MM (HT1)	W716774-S437
A/R	STUD, M8 X 33MM, M8 X 27MM (HT2)	W713461-S437

Gasket Kits



Quantity	Description	Part #
1	Gasket Kit	PR3Z-6079-A



**22" Fan Shroud Radiator**

Quantity	Description	Part #	Notes
1	Radiator - 22" Fan	39000378	
1	Bracket Kit for 39000412	23000749	
1	Overflow Bottle (pop top)	81500003	
1	Overflow Bottle (screw top)	81500047	
1	22" Pusher Fan	445150-550	
1	22" Suction Fan	441150-550	
1	Fan Spacer 2"	7921062	Pusher/Suction



Quantity	Description	Part #
1	Serial # Label	L3-31081-002
1	Emission Label	2530050
1	Operator Manual	1030250
1	Emission Install Instructions	1030260
1	Body Side Harness Install Instructions	1030270
1	Parts Manual	1030280
1	Service Manual	1030290
1	Spec Sheet	1030300