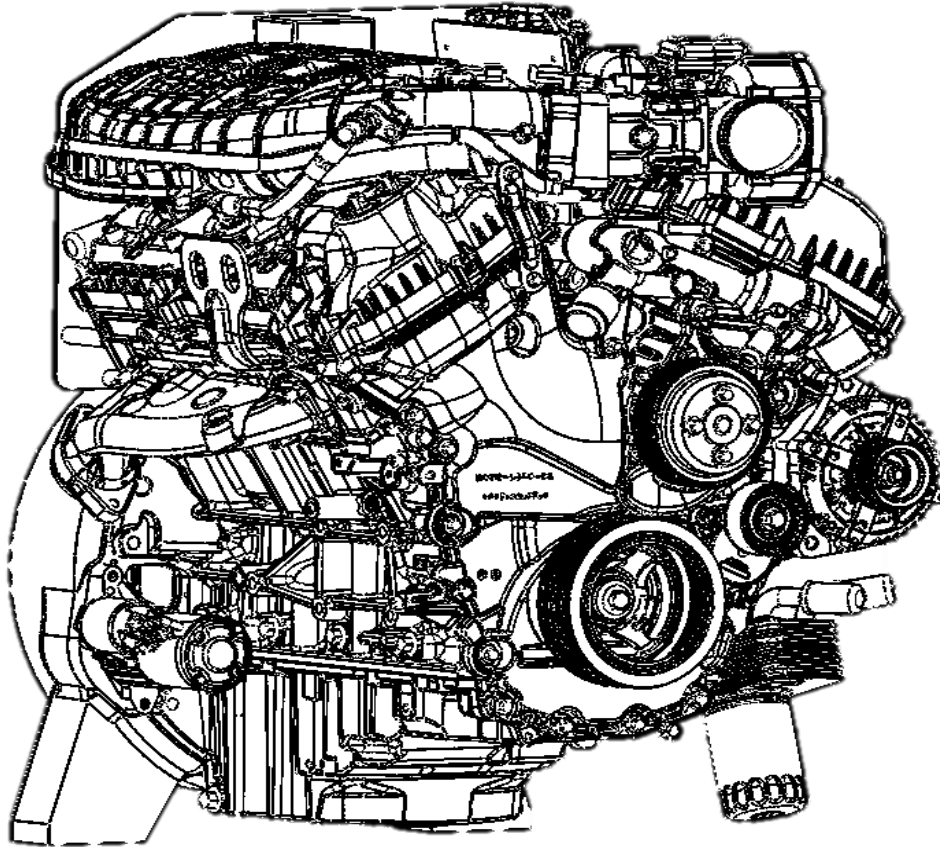




CSG637 Service Parts Manual



Part#: 1040040

Rev 5

6/3/2020

General Information

This catalog has been prepared to assist you, the owner, in identifying the correct replacement

Parts Information

Each listing contains base part number, part description and the quantity required to assist in indentifying and ordering the correct part.

NOTE: The descriptions and specifications contained in this manual were in effect at the time the book was released for printing. Engine Distributors, Inc. (EDI) reserves the right to discontinue models at any time, or change specifications or design, without notice and without

Reproduction in any manner, in whole or in part, is prohibited without the express permission in writing from Engine Distributors, Inc.

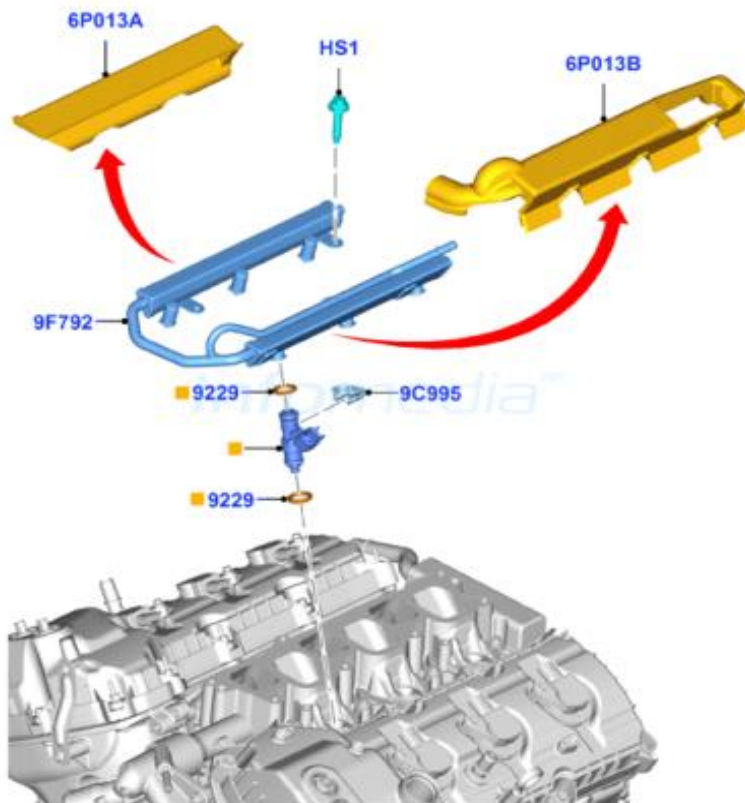


Engine Distributors Inc
400 University Ct.
Blackwood, NJ 08012
800-220-2700

INDEX

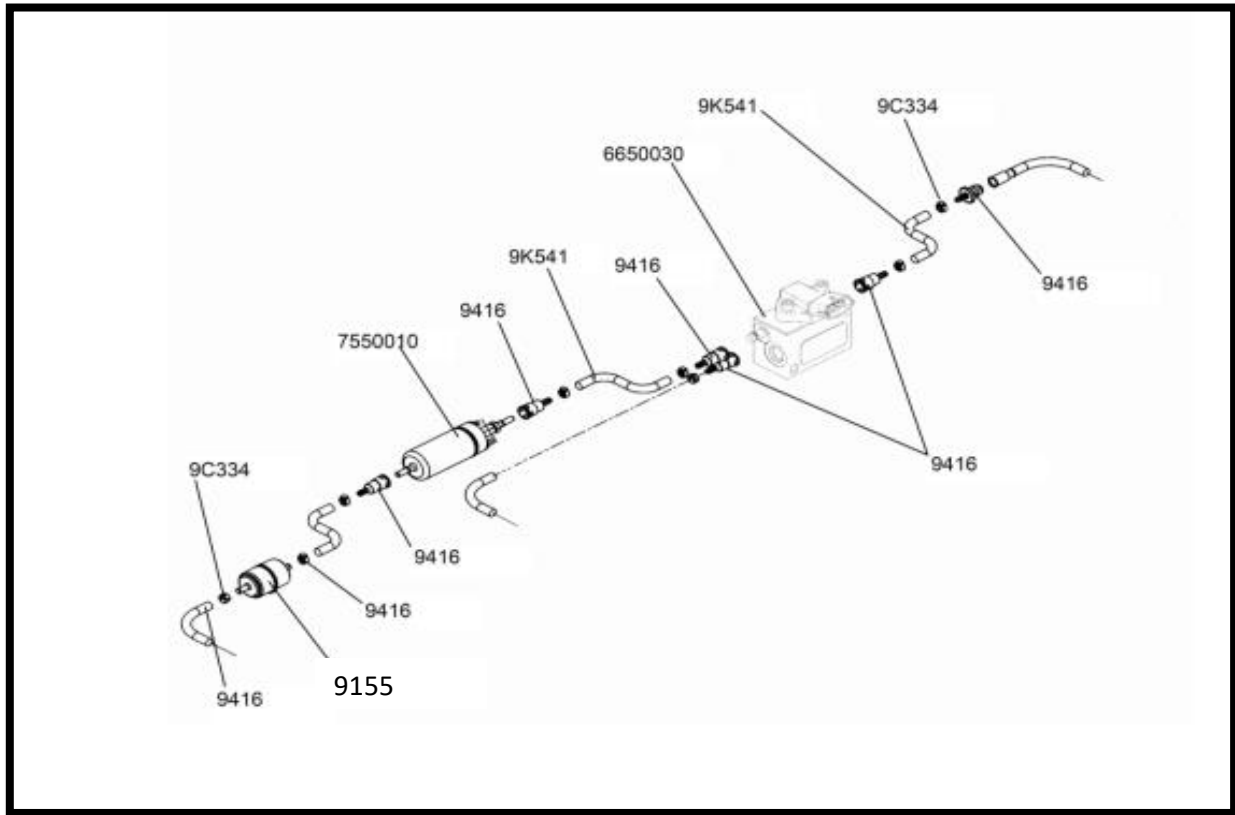
CSG637 Service Parts	Section	PAGE
Fuel System Fuel Rail and Injectors, Fuel Pump, LPG and NG Mixers/Pressure Regulators, Lockoff Valves	1	3
Electrical System Starter, Alternator, Relays, and Wiring Harnesses	2	9
Exhaust Catalyst Muffler, Manifold, Y Pipe	3	12
Intake Manifold, Bosch Governor, Throttle Adapter	4	14
FEAD Tensioner and Pulleys	5	17
Flywheel and Housings SAE Flywheel and Housing, Ring Gear, Starter Plate	6	18
Cooling System Thermostat, Water Pump, Coolant Outlet, Cooling Fans, Radiator Kit	7	19
Oil System Filter, Oil Pan, Pickup, switch, Pump and Chain	8	23
Base Engine Sensors, Camshafts, Valve Cover, Crankshaft and Bearings, Cylinder Head, Crankcase Ventilation, Pistions, Timing Chain and Gears, Front Cover	9	26
Miscellaneous Hydraulic Pumps, Sheet metal	10	41
Manual & Labels	11	43

Gasoline Fuel Rail and Injectors



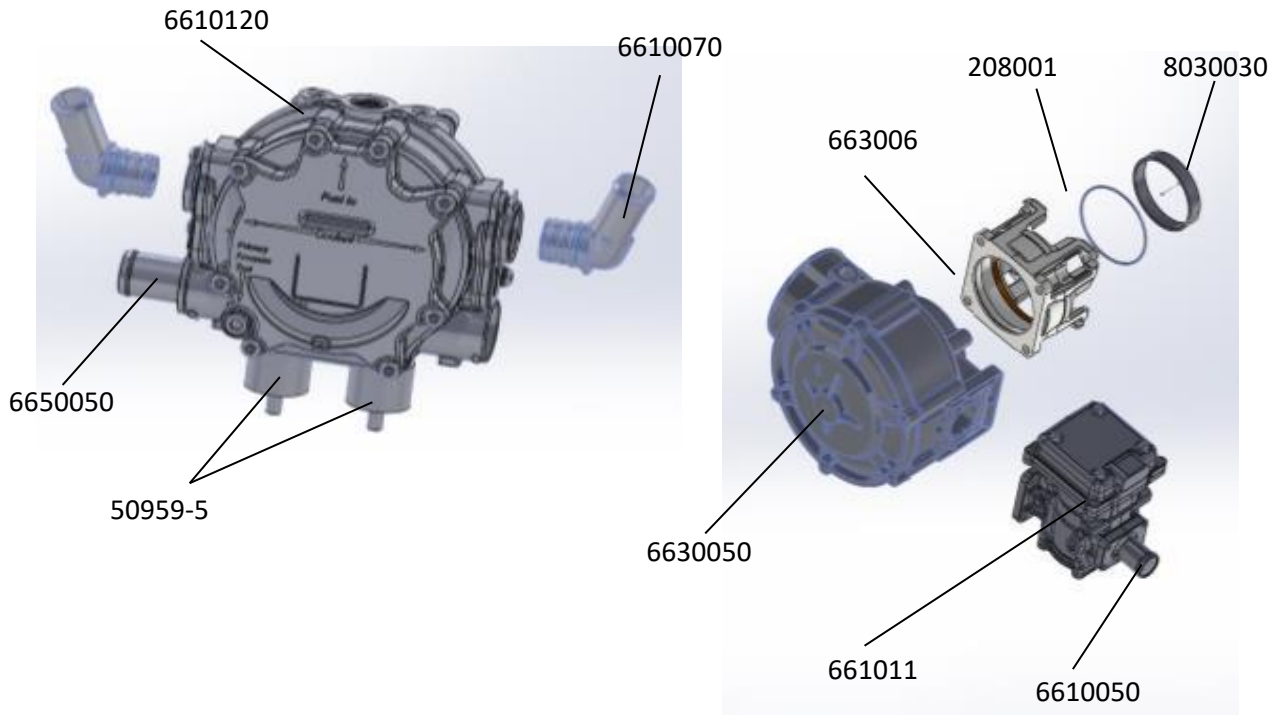
Quantity	Description	Part #
1	Insulator RH	BR3Z-6P013-C
1	Insulator LH	FR3Z-6P013-E
1	Seal 10 O-Rings Per Kit	FOPZ-9229-A
6	Fuel Injector	BR3Z-9F593-B
1	Fuel Rail	BR3Z-9F792-A
6	Retainer, Fuel Injector	4F2Z-9C995-AA
4	Srew, M6x30	W503279-S437

Gasoline Fuel Pump, Block, and Lines



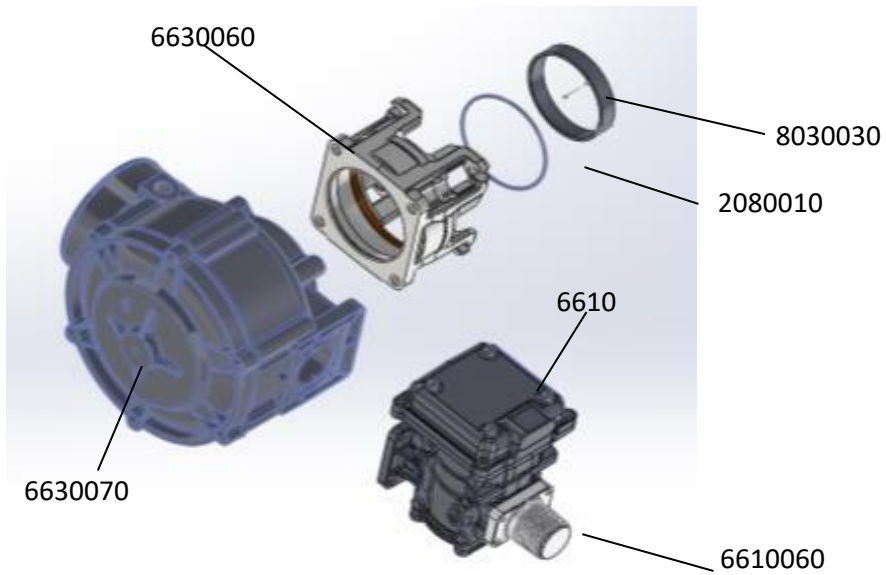
Quantity	Description	Part #
1	Gasoline Fuel Pump	7550010
1	Gasoline Fuel Block	6650030
2	Fuel Block Fitting - SAE 6	2050040
1	Fuel Block Fitting - SAE 3	2050050
1	Fuel Pump Fitting - M10	2050030
1	Fuel Pump Fitting Washer	1118659
1	Fuel Filter	F89Z-9155-A
1	Fuel Pump Mounting Clamp	6660020
8	Fuel Line Clamps	F8JL-9C334-AA
8	Fuel Clips (Quick Disconnects)	6630040
1	Fuel Clip (Quick Disconnect) Fuel Rail Only	N806188S190
NA	Fuel Line	6590010

LPG Fuel System; Mixer, DEPR, Vapor Regulator



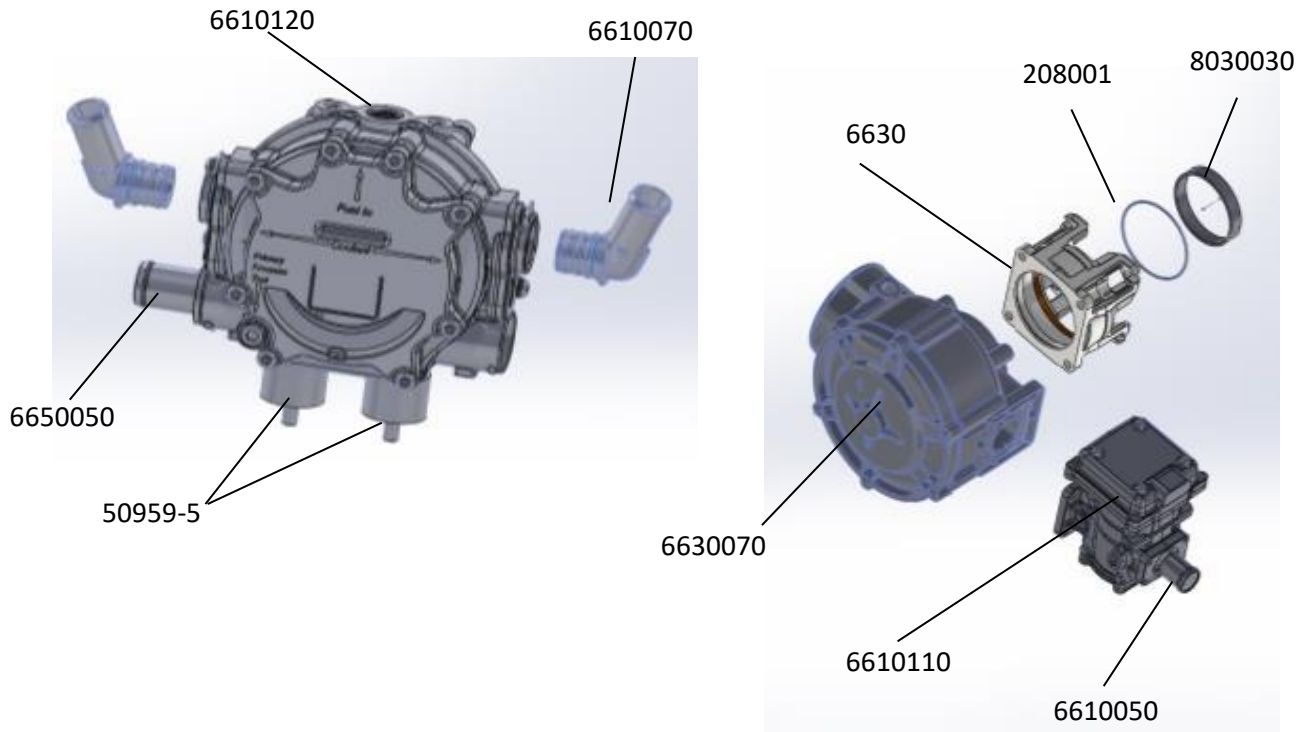
Quantity	Description	Part #
1	LPG Mixer	6630050
1	Mixer to Governor Adapter	6630060
1	Mixer to Governor Adapter Thin O-ring	2080010
1	Mixer to Governor Adapter Thick O-ring	8030030
1	LPG Vapor Regulator	6610120
1	Direct Electronic Pressure Regulator (DEPR)	6610110
1	DEPR LPG Fitting (pictured)	6610050
2	LPG Vapor Regulator Rubber Isolators	50959-5
2	LPG Vapor Regulator Coolant Fitting (straight)	6610080
2	LPG Vapor Regulator Coolant Fitting (70 degree)	6610070
1	LPG Vapor Regulator Fuel Outlet Fitting	6650050
NA	LP Vapor Hose	VH34
1	Mixer Diaphragm Replacement Kit	6610040
2	Vapor Regulator Heater Hose	F8JL18472AA
1	Vapor Regulator Mount, Y pipe heat shield	4040110
1	Vapor Regulator Mount, No heat shield	4030110
4	Mixer Adapter to Mixer Bolts, M6x1.0x25MM	NA
4	DEPR to Mixer Bolts, M5x0.8x12.5MM,	NA
4	DEPR Fitting to DEPR Bolts, M4x.70x12MM	NA
4	Throttle to Adapter Bolts (mixer), M6x1.0x65MM	NA
3	Vapor Regulator Locking Pins	1060230

NG Fuel System



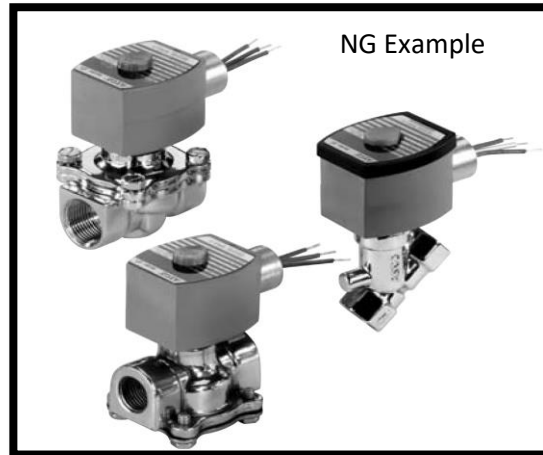
Quantity	Description	Part #
1	NG Mixer	6630070
1	Mixer to Governor Adapter	6630060
1	Mixer to Governor Adapter Thin O-ring	2080010
1	Mixer to Governor Adapter Thick O-ring	8030030
1	Direct Electronic Pressure Regulator (DEPR)	6610110
1	DEPR NG Fitting (threaded)	6610060
1	Mixer Diaphragm Replacement Kit	6610040
4	Mixer Adapter to Mixer Bolts, M6x1.0x25MM	NA
4	DEPR to Mixer Bolts, M5x0.8x12.5MM,	NA
4	DEPR Fitting to DEPR Bolts, M4x.70x12MM	NA
4	Throttle to Adapter Bolts (mixer), M6x1.0x65MM	NA

CNG Fuel System; Mixer, DEPR, Vapor Regulator



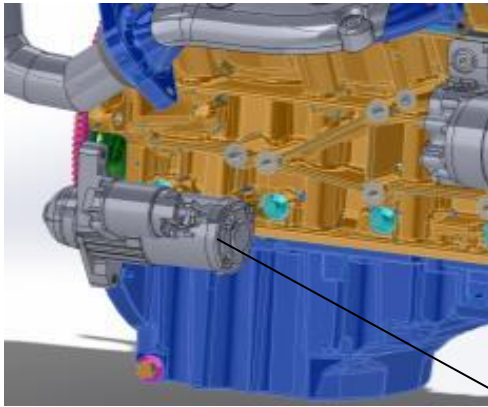
Quantity	Description	Part #
1	NG Mixer	6630070
1	Mixer to Governor Adapter	6630060
1	Mixer to Governor Adapter Thin O-ring	2080010
1	Mixer to Governor Adapter Thick O-ring	8030030
1	LPG Vapor Regulator	6610120
1	Direct Electronic Pressure Regulator (DEPR)	6610110
1	DEPR LPG Fitting (pictured)	6610050
2	LPG Vapor Regulator Rubber Isolators	50959-5
2	LPG Vapor Regulator Coolant Fitting (straight)	6610080
2	LPG Vapor Regulator Coolant Fitting (70 degree)	6610070
1	LPG Vapor Regulator Fuel Outlet Fitting	6650050
NA	LP Vapor Hose	VH34
1	Mixer Diaphragm Replacement Kit	6610040
2	Vapor Regulator Heater Hose	F8JL18472AA
1	Vapor Regulator Mount, Y pipe heat shield	4040110
1	Vapor Regulator Mount, No heat shield	4030110
4	Mixer Adapter to Mixer Bolts, M6x1.0x25MM	NA
4	DEPR to Mixer Bolts, M5x0.8x12.5MM,	NA
4	DEPR Fitting to DEPR Bolts, M4x.70x12MM	NA
4	Throttle to Adapter Bolts (mixer), M6x1.0x65MM	NA
3	Vapor Regulator Locking Pins	1060230

Lockoff Valves



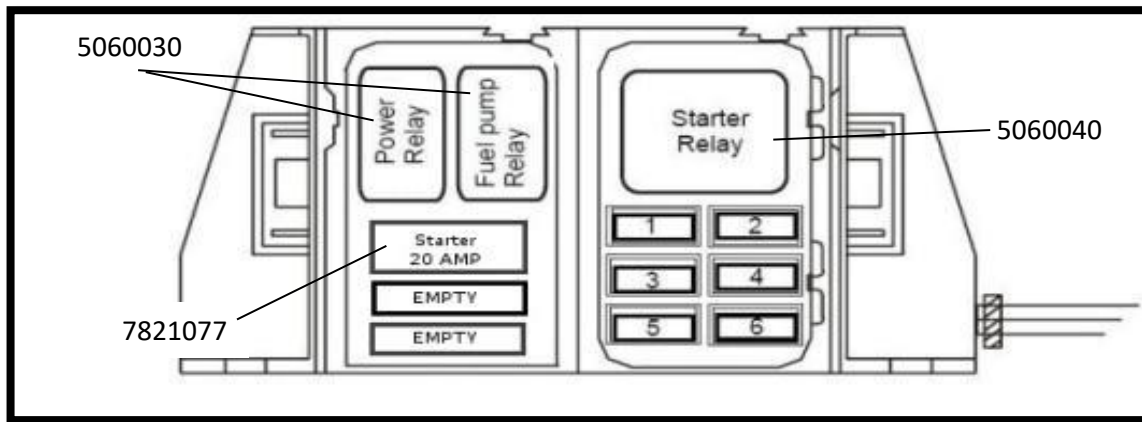
Quantity	Description	Part #
1	12V LPG Shutoff valve	N301652
1	12V LPG Shutoff Valve 90 deg	N301641
1	12V NG Shutoff valve	8214235
1	12V LPG Shutoff Valve w/ filter	6690020
1	Shutoff Valve Connector kit	5010030A

Starter, Charging System, and Relays



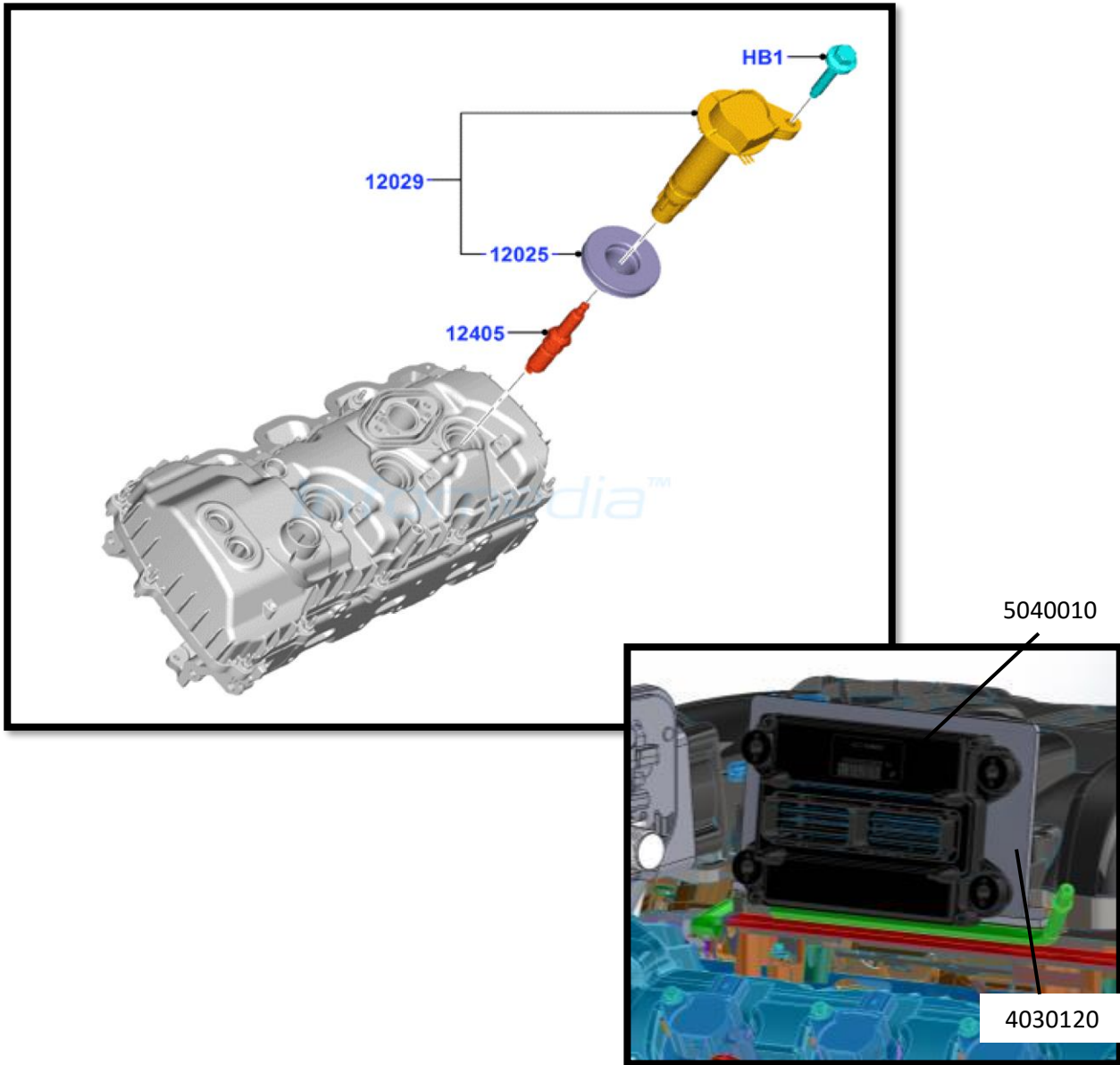
CK4T10300AB

CK4T11000



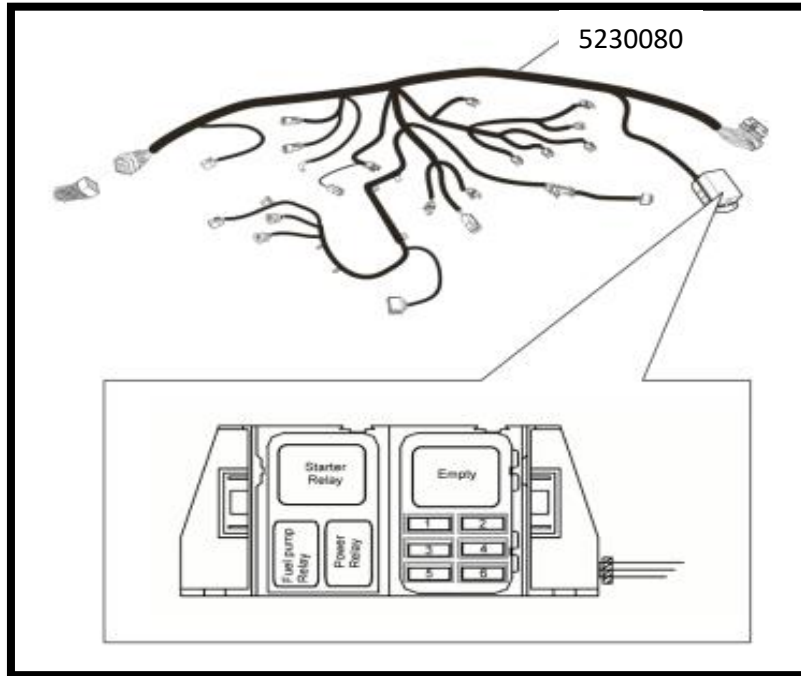
Quantity	Description	Part #
1	Starter	CK4T11000BA
1	Alternator	CK4T10300AB
2	Fuel Pump and Power Relays	5060030
1	Starter Relay	5060040
1	Relay Box Top	5210010
1	Relay Box Top Sticker	5210020
1	Fuse Box Mount, right	5210040
1	Fuse box mount, left	5210050
1	Starter Fuse 20 AMP	7821077

Starter, Charging System, and Relays



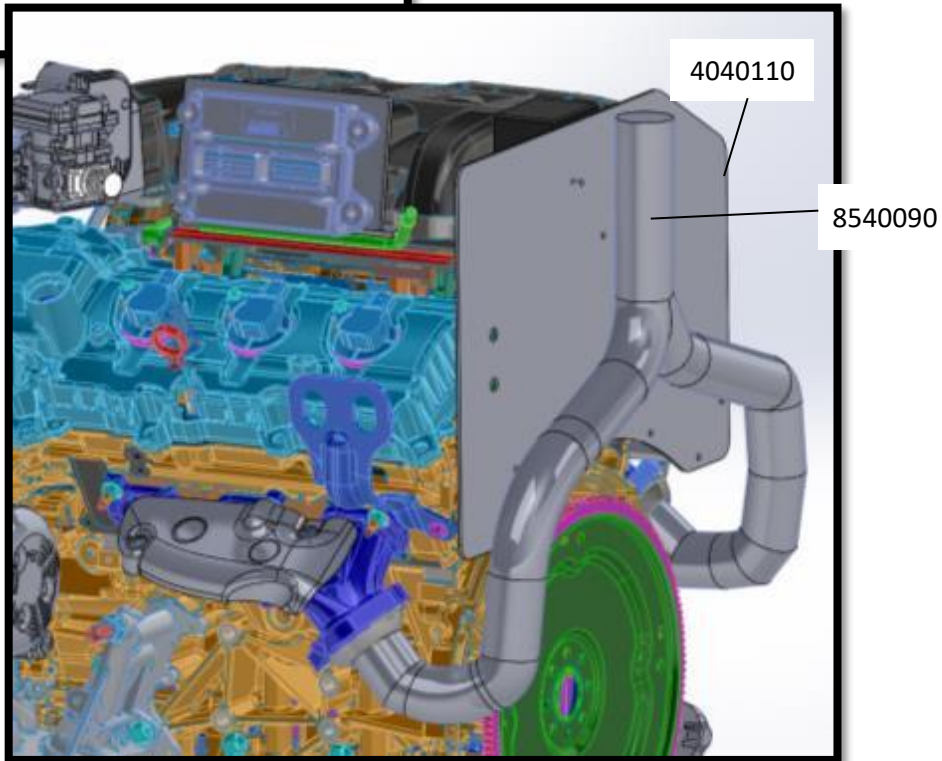
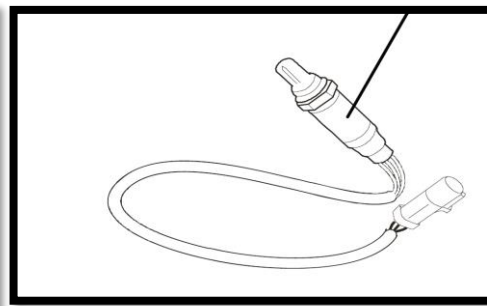
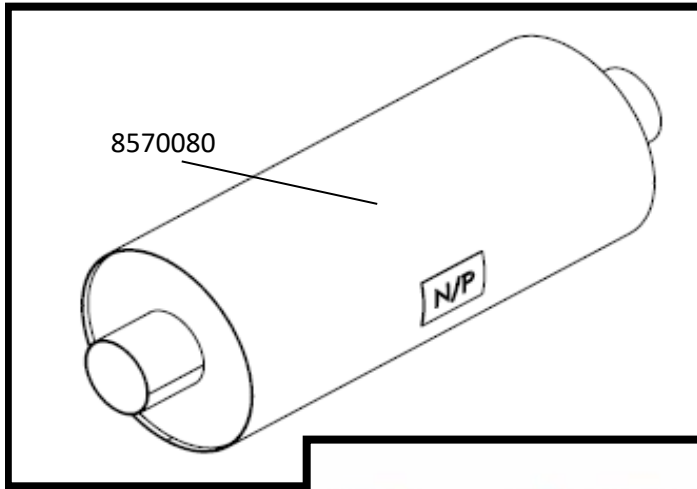
Quantity	Description	Part #
1	ECU (4G)	5040010
6	Ignition Coil Cover	7T4Z-12025-A
6	Ignition Coil with Cover (Up to serial # NJC00231; August 2017)	7T4Z-12029-E
6	Ignition Coil with Cover (Starting with serial # NKC00232; September 2017)	7T4Z-12029-F (Motorcraft DG-563)
6	Spark Plug	CYFS-12F-5 (Motorcraft SP 520)
6	Bolt, M5x27mm	W714507-S437
1	ECU (4G) Bracket	4030120

Harnesses and Misc.



Quantity	Description	Part #
1	Main Engine Harness (Up to serial # NJC00231; August 2017)	5230080
1	Main Engine Harness (Starting with serial # NKC00232; September 2017)	5230081
1	Alternator Charge Wire	5260050
1	Gasoline Fuel Block Harness	5260010
2	Fuse box isolators	50959-5
1	GCP Bracket	4030120
1	Diagnostic Software and Cable	5080050
1	GCP Connector Slide Lock	5240030
1	GCP Connector Cover	5240020
4	GCP Mount Screws M6x1.0x30	NA
4	Fuse Box Isolator Nuts; M6x1.0	NA
1	Fuse box Bracket, no Y pipe heat shield	4030090
1	Fuse Box Cover	5210010
1	Fuse Box Cover Sticker	5260120

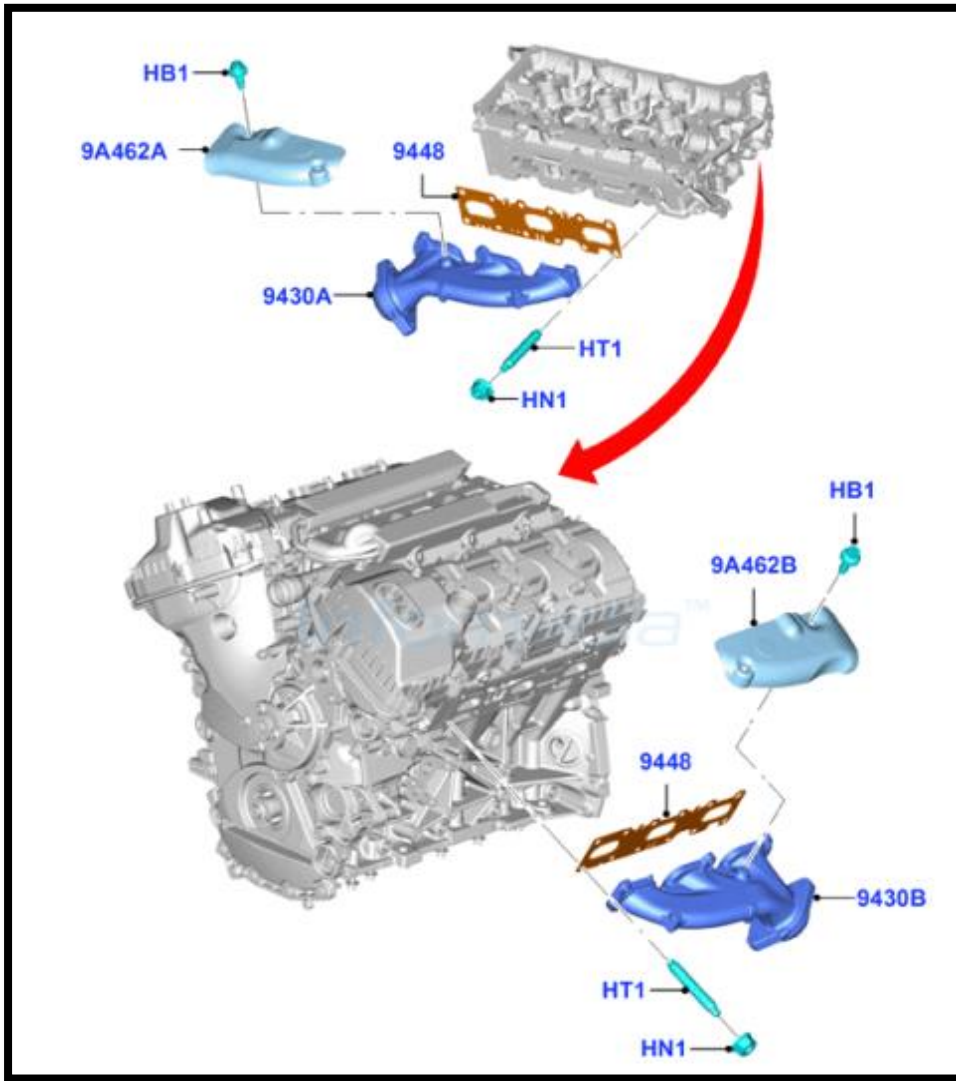
Exhaust System Components



Quantity	Description	Part #
1	Catalyst Muffler	8570080
1	Cat Muffler O2 Plug (M18)	40129
2	Exhaust O2 Sensor (pre and post catalyst)	5060010
1	Pre-Cat Sensor Pipe Bung	F5AC9J467CA
1	Y Pipe	8540090
1	Fusebox Bracket / Y Pipe Shield	4040110
2	Catalyst Muffler Mounting Band	M002119

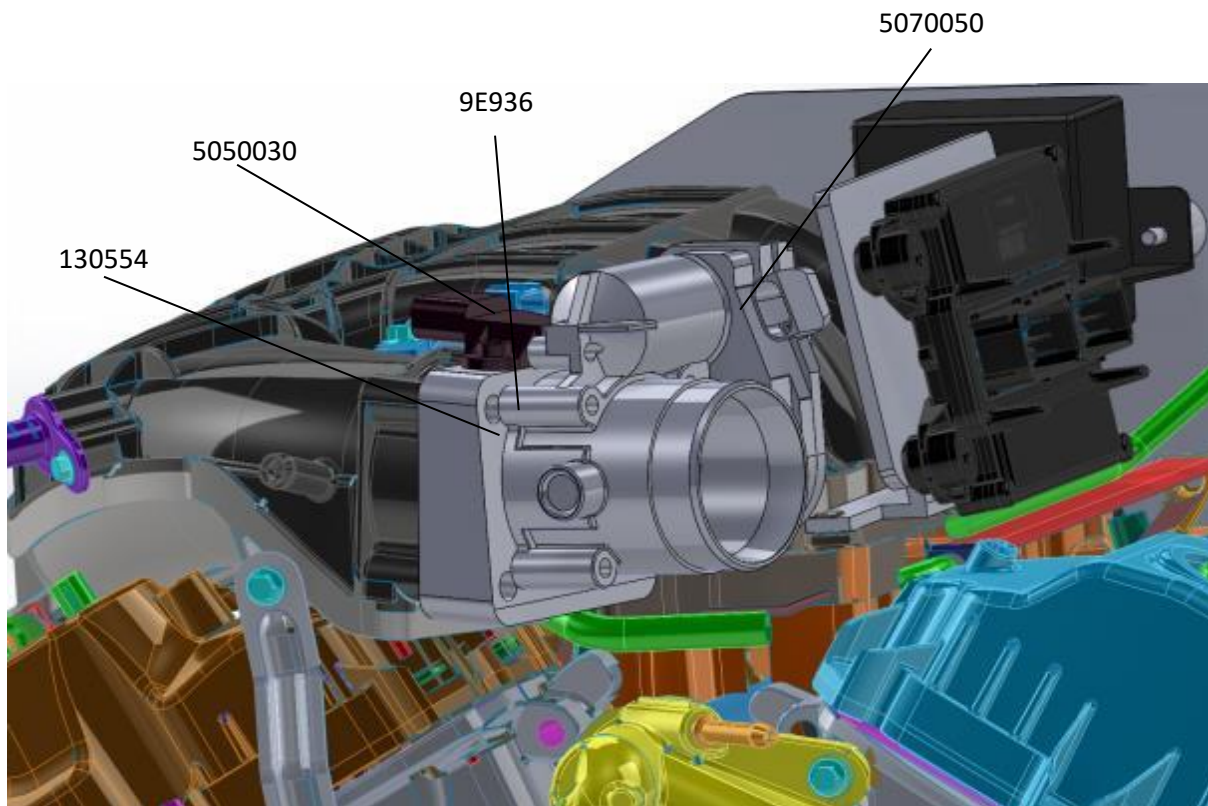
Exhaust Y Pipes and mounting bands are optional, may not be installed on engine, consult with OEM

Exhaust System Components



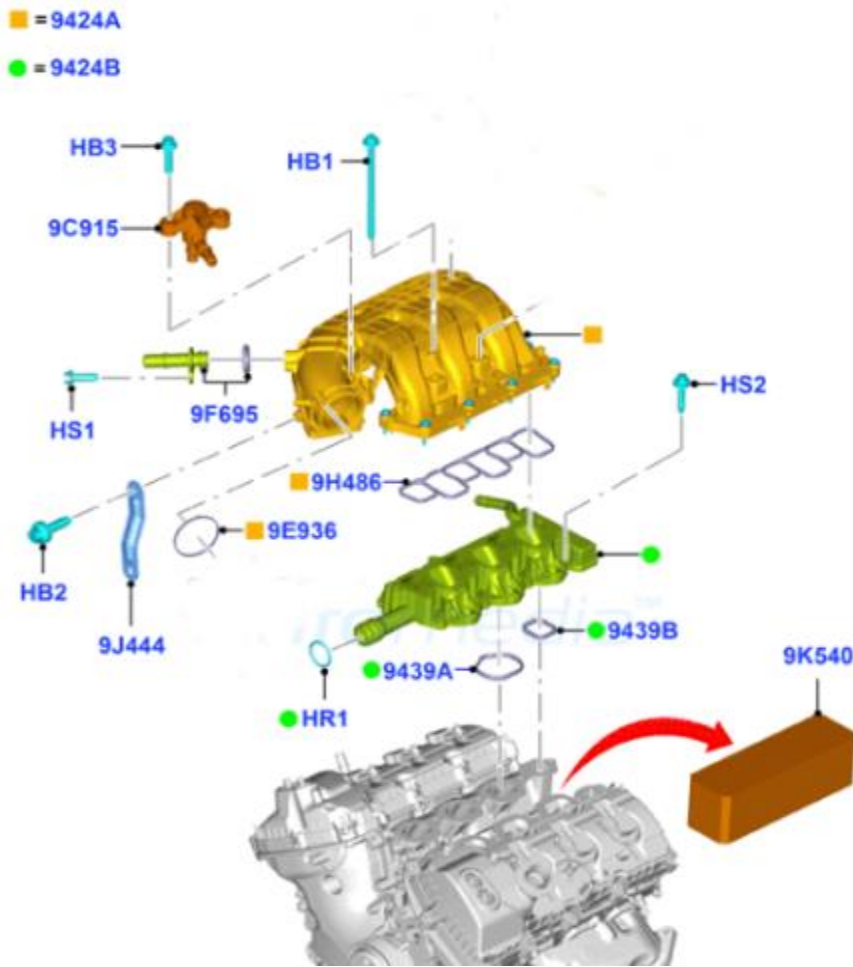
Quantity	Description	Part #
1	Exhaust Manifold RH	BX2Z-9430-A
1	Exhaust Manifold LH	BX2Z-9431-A
2	Manifold Gasket	BR3Z-9448-C
1	Manifold Heat Shield RH	BR3Z-9A462-A
1	Manifold Heat Shield LH	BR3Z-9Y427-M
4	Bolt M6 x 14mm (HB1)	W714133-S439
6	Nut M8 Hex (HN1)	W701706-S430
6	Stud M8 x 16 + M8 x 25 (HT1)	W712244-S300

Intake Air System



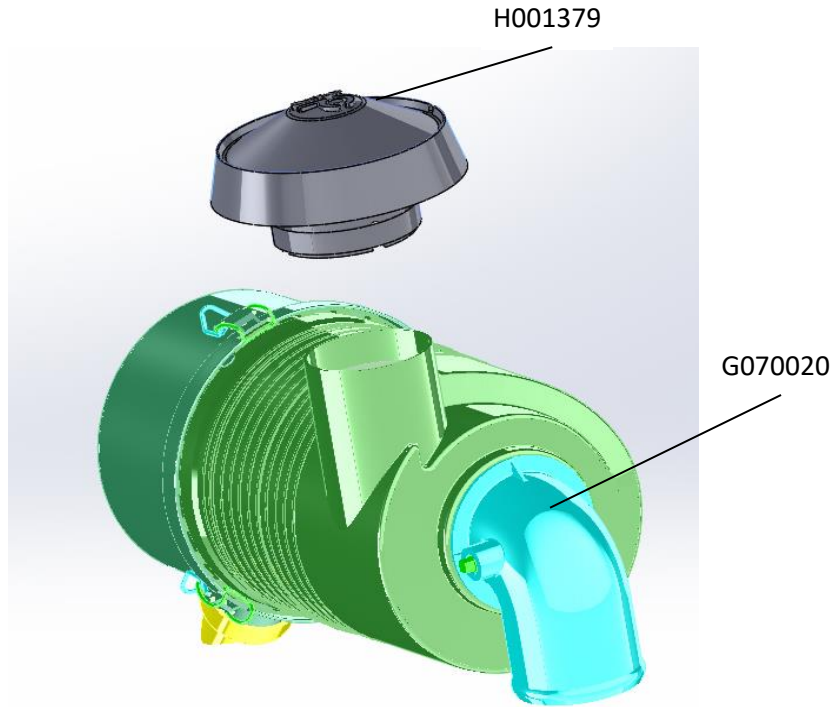
Quantity	Description	Part #
1	Bosch Governor	5070050
1	Bosch Governor Gasket	1U1L-9E936-BA
1	Governor to Intake Manifold Adapter	130554
1	TMAP Sensor	5050030
1	TMAP Sensor Bolt, M6x1.0x18MM	NA
4	Throttle Adapter to Intake Bolts, M6x1.0x25MM	NA
4	Throttle to Adapter Bolts (no mixer), M6x1.0x55MM	NA
4	Throttle to Adapter Bolts (mixer), M6x1.0x65MM	NA

Intake Air System



Quantity	Description	Part #
1	Intake Manifold (9424A)	BR3Z-9424-G
1	Lower Intake (9424B)	CL3Z-9424-D
6	Gasket Water Galley 1	7T4Z-9439-E
2	Gasket Water Galley 2	7T4Z-9439-D
1	Support Bracket	BR3Z-9J444-A
1	Intake Manifold Gasket	AT4Z-9H486-A
1	Seal Block	BR3Z-9K540-A
1	Tube Ventilation	BR3Z-9F695-A
1	Valve	AU5Z-9C915-B
1	Intake to Throttle Adapter Gasket	AT4Z-9E936-A
1	Bolt, M6 x 118MM (HB1)	W715096-S437
2	Bolt, M6 x 20MM (HB2)	W503275-S437
2	Bolt, M6 x 25MM (HB3)	W500215-S437
1	O-Ring, 15MM (HR1)	AT4Z-8527-A
1	Screw, 6 x 20 (HS1)	W506855-S442
10	Screw, M6 x 30 (HS2)	W503279-S437
2	Vacuum Cap; solenoid/intake manifold	AL3Z-9E499-A

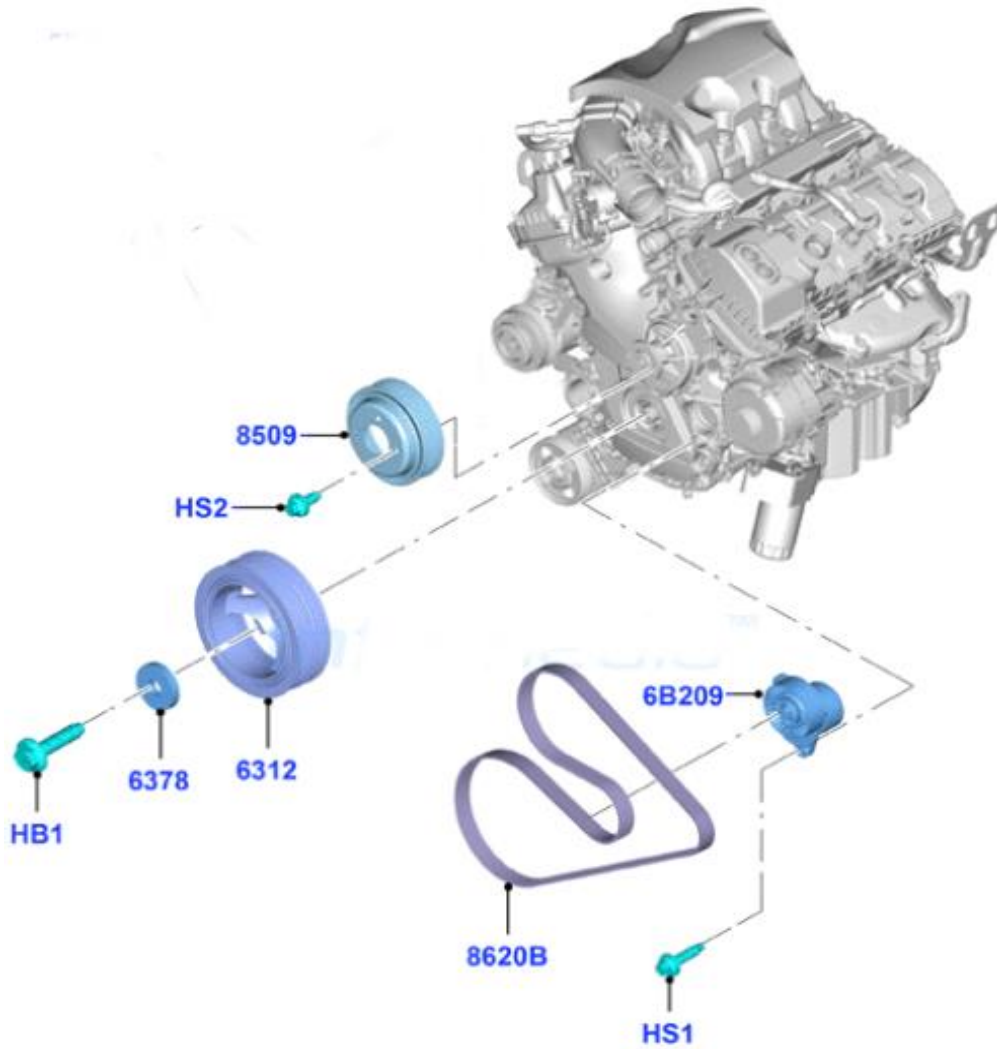
Intake Air Cleaners



Quantity	Description	Part #
1	90° Air Cleaner; 3" outlet (pictured)	G070020
1	Air Cleaner Straight; 3" outlet	G070019
1	Mountings bracket for above air cleaners	H002070
1	Air cleaner hood	H001379
1	Filter Indicator	X002351
1	Dry Type Air Cleaner	C085004
1	Rubber Hump Reducer/Expander 3" to 2.75"	P520883
1	3" 90 deg Elbow Recommended on dry fuels	3-90B

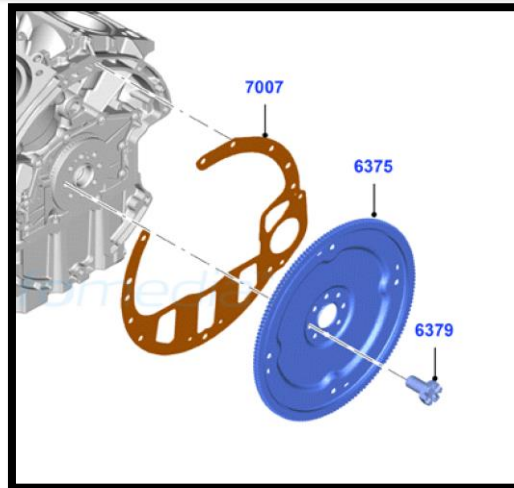
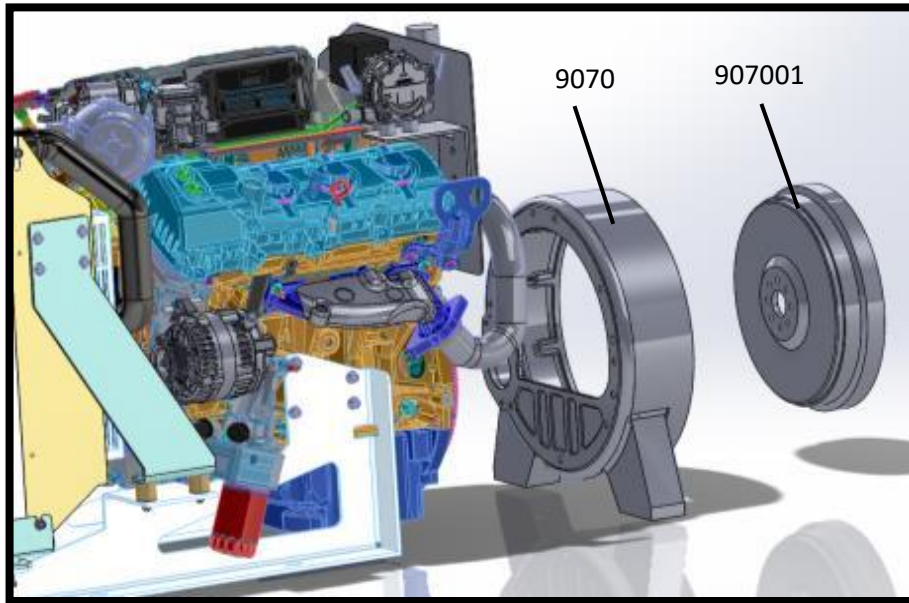
All intake air parts are optional, may not be installed on engine, consult with OEM

FEAD



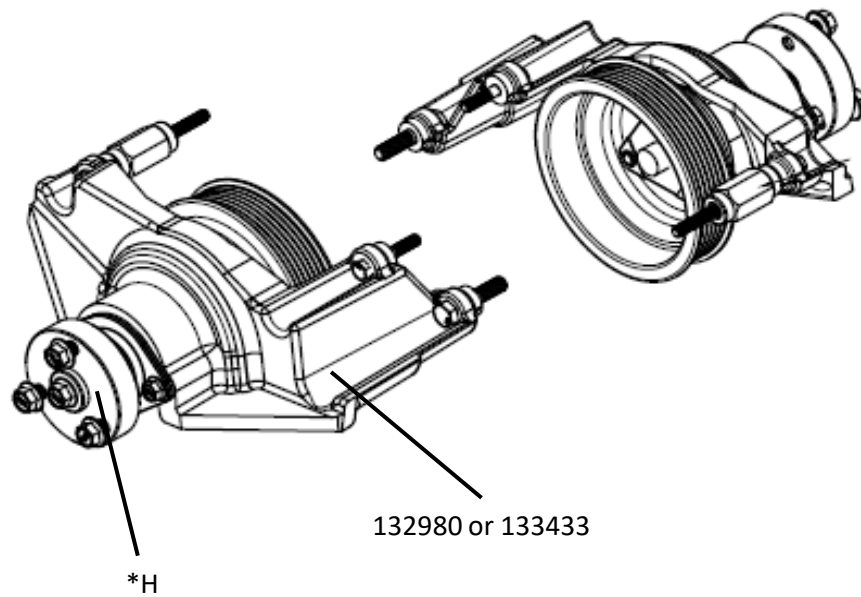
Quantity	Description	Part #
1	Tensioner	BR3Z-6B209-E
1	Crank Pulley w/ vibration damper	BR3Z-6312-D
1	Crank Pulley Washer	F1AZ-6378-A
1	Water Pump Pulley	BR3Z-8509-G
1	FEAD Belt	BR3Z-8620-C
1	Crank Pulley Bolt (HB1)	HL3Z-6A340-A
2	Tensioner Bolt (HS1)	W713261-S437
1	Water Pump Pulley Bolt (no fan) (HS2)	W503291-S437

Flywheel and Housings



Quantity	Description	Part #
1	SAE 3 Housing	907000
8	SAE 3 Housing Bolts, M10x1.5x40MM	NA
1	SAE 11.5" Flywheel (ring gear included)	907001
1	SAE 11.5" Bearing Adapter	130636
1	SAE Flywheel Ring Gear	1050070
8	SAE 11.5" Flywheel Bolts	F6ZZ6379AA
1	6R80 Starter Plate	BR3Z7007B
1	6R80 Flywheel (flexplate)	BL3Z6375A
1	6R80 flywheel bolts	7T4Z6379AA
1	PTO Clutch (2.5165" Keyed Shaft)	434510AM

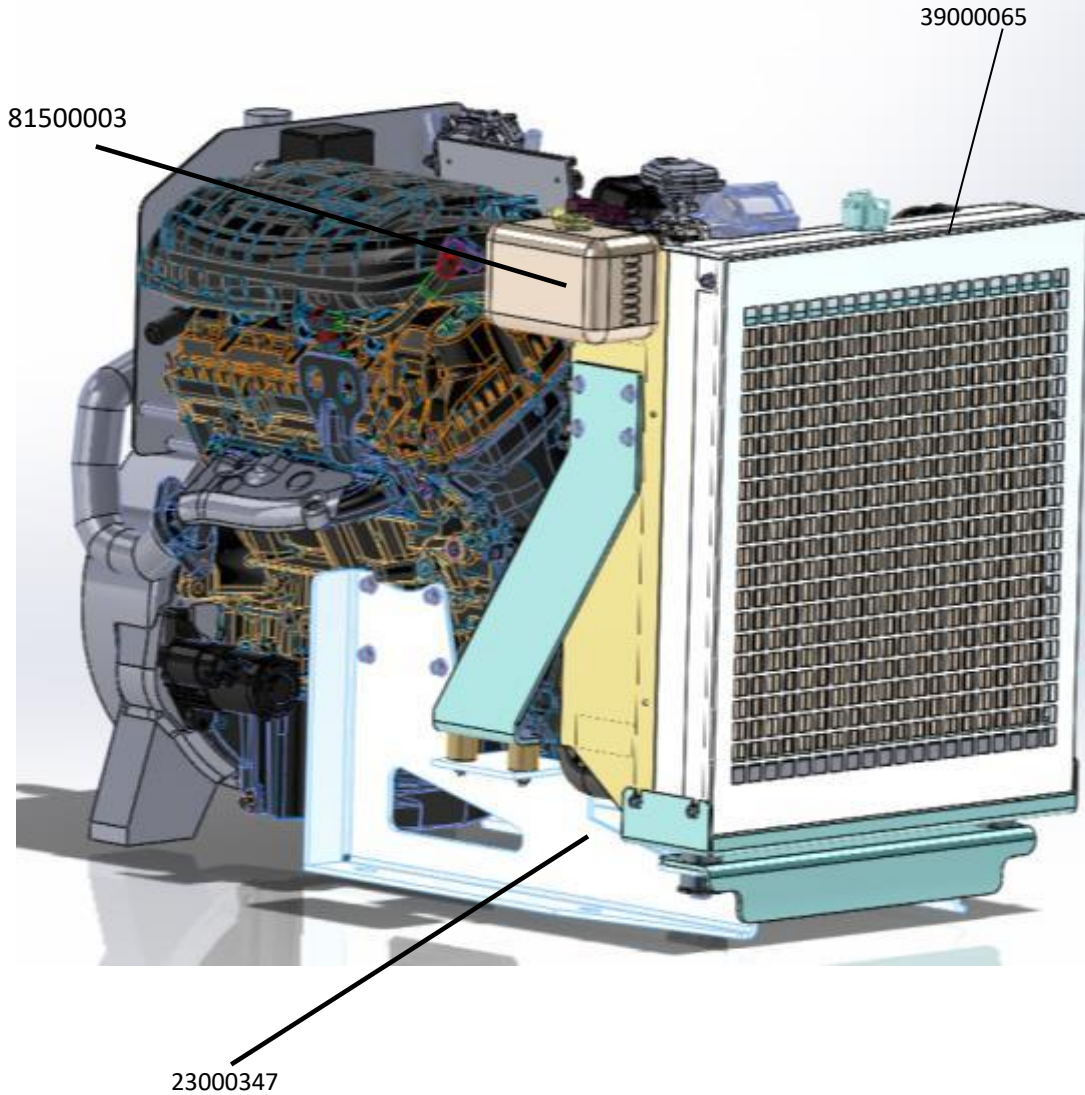
Cooling Fan Drive and Spacer



Quantity	Description	Part #
1	Fan Drive Kit with Bearing (serial # <=PNC00714) Kit includes cast bracket, water pump pulley, hardward, bearing and taperd shaft.	132980
1	Fan Drive Kit with Bearing (serial # >=PNC00715) Kit includes cast bracket, water pump pulley, hardward, bearing and taperd shaft.	133433
1	(*H) Pusher Fan Spacer / Hub for 132980	133151
1	(*H) Suction Fan Spacer / Hub for 132980	133152
1	(*H) Pusher Fan Spacer / Hub for 133433	133468
1	(*H) Suction Fan Spacer / Hub for 133433	133466
1	Suction Cooling Fan 14" (radiator 39000065)	9050120
1	Pusher Cooling Fan 14" (radiator 39000065)	9050110
1	Pusher Cooling Fan 16" (radiator 39000267)	9090010
1	Suction Cooling Fan 17" (radiator 39000261)	9000040
1	Pusher Cooling Fan 17" (radiator 39000261)	9000050

Fans are optional, may not be installed on engine, consult with OEM

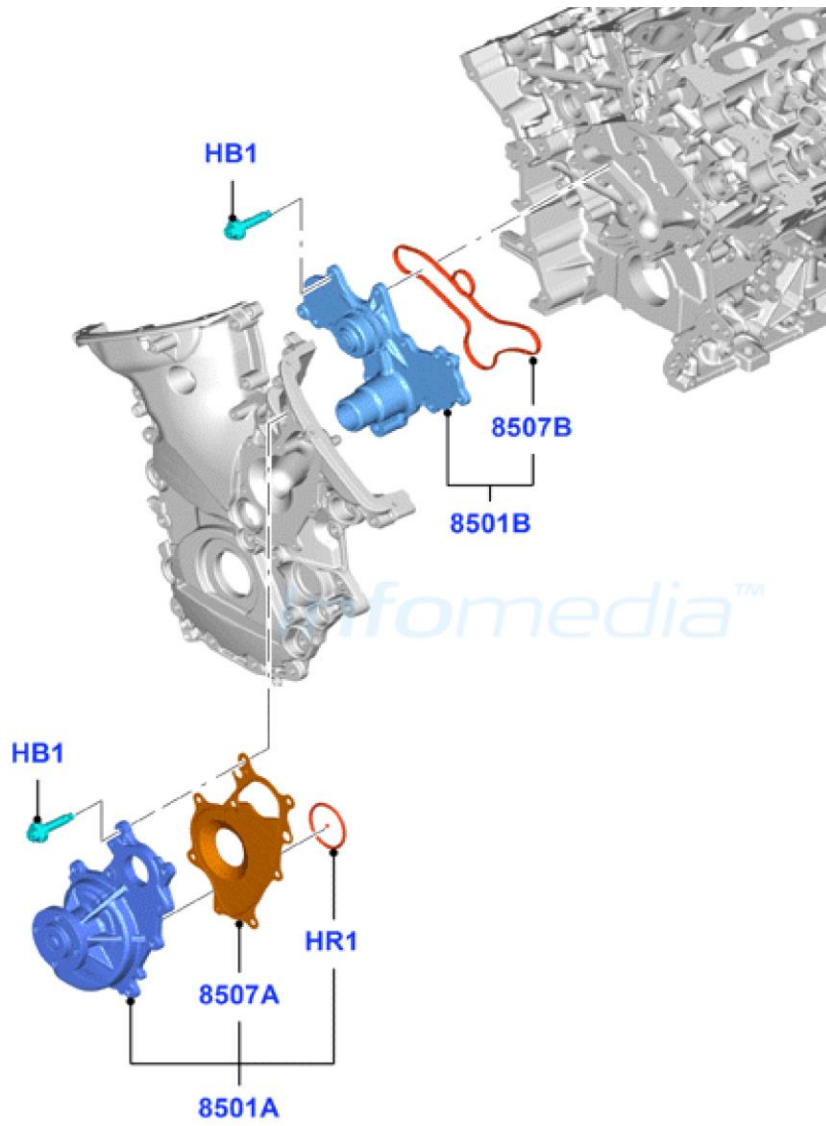
Radiator and Bracket/Hose Kit



Quantity	Description	Part #
1	Aluminum Radiator (Std Duty, 14" Fan, pictured)	39000065
1	Mounting Bracket and Hose Kit (39000065 Rad)	23000347
1	Aluminum Radiator (High Capacity, 16" Fan)	39000267
1	Mounting Bracket and Hose Kit (39000267 Rad)	23000490
1	Overflow Bottle (Pop Top)	81500003
1	Overflow Bottle (Screw Top)	81500047

Radiators are optional, may not be installed on engine, consult with OEM

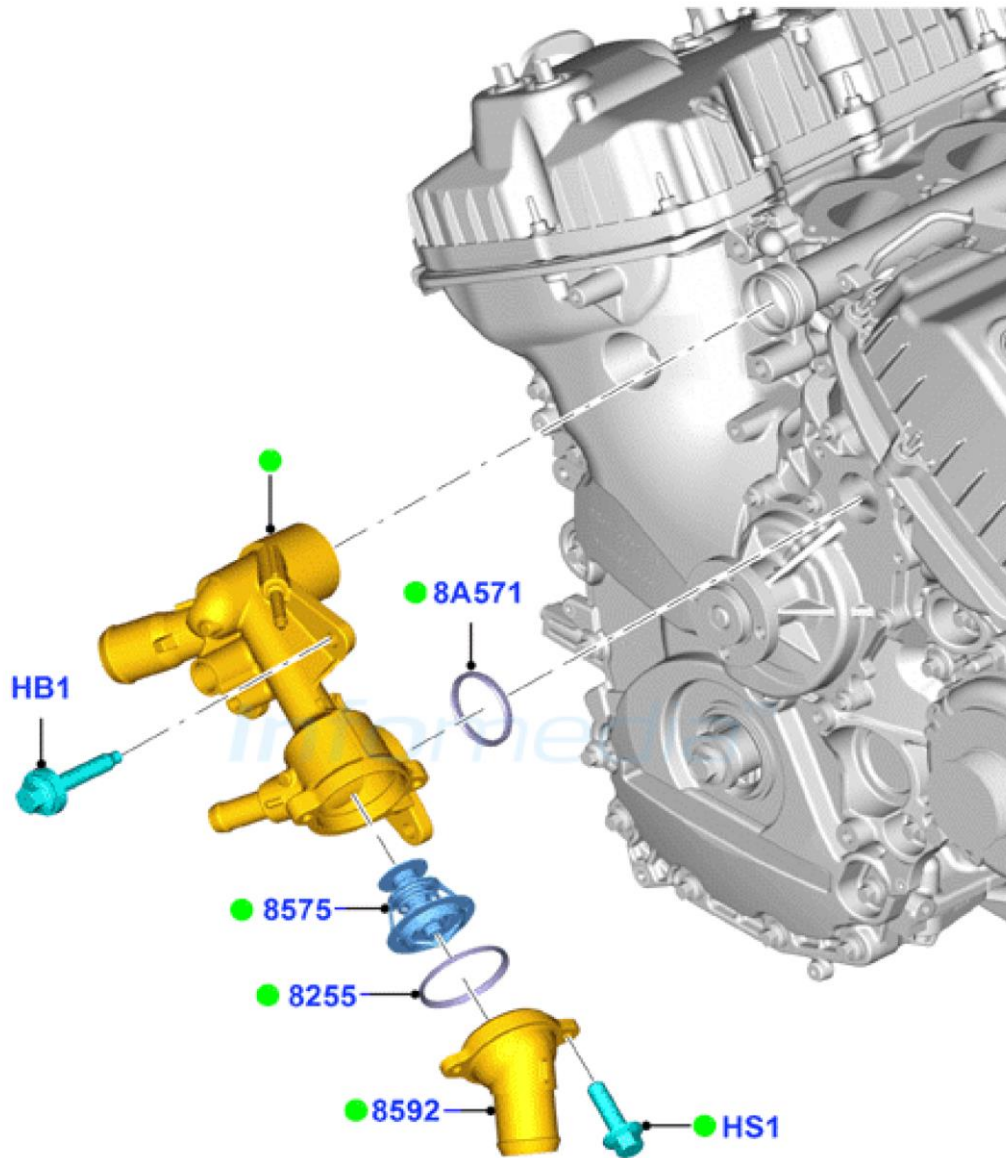
Cooling System



Quantity	Description	Part #
1	Water Pump Assembly (8501B)	BR3Z-8501-D
1	Water Pump Assembly (8501A)	BR3Z-8501-G
1	Gasket Water Pump (8507A)	BR3Z-8507-C
1	Gasket Water Pump (8507B)	BR3Z-8507-L
17	Bolt M6 x 27mm (HB1)	W503278-S437
1	O-ring (37.5MM) (HR1)	BR3Z-8527-A

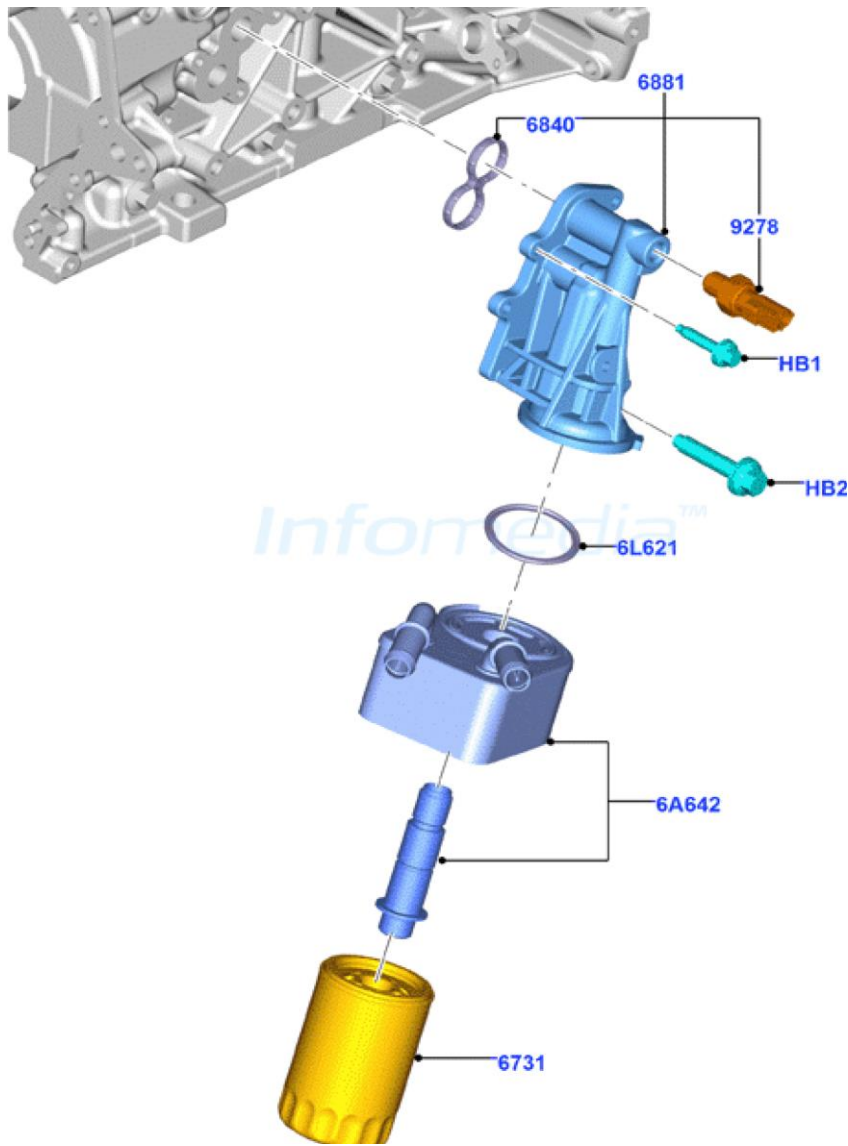
Cooling System

● = 8A586



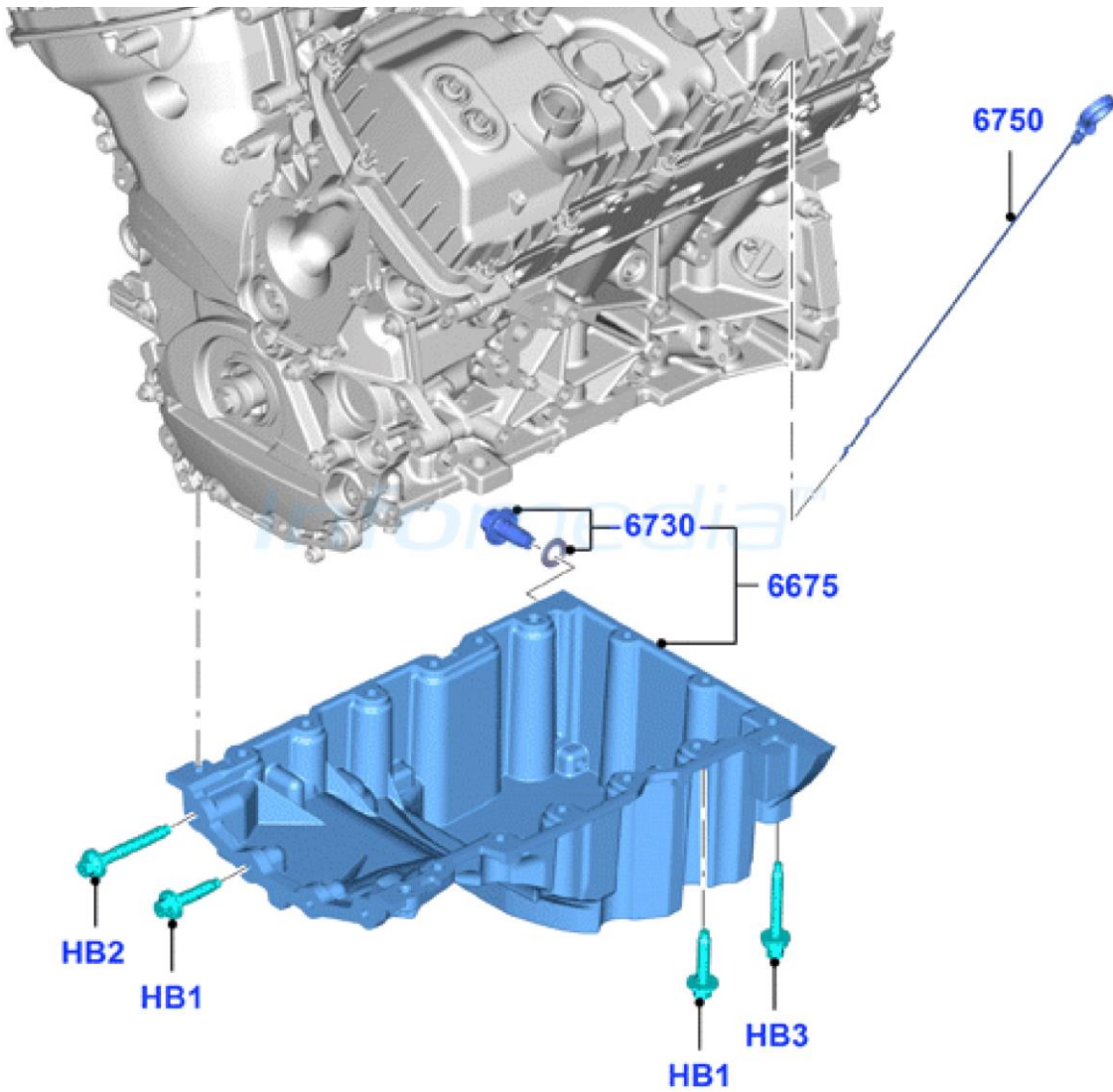
Quantity	Description	Part #
1	Gasket	BR3Z-8255-A
1	Gasket (8A571)	7T4Z-8590-A
1	Thermostat	BL3Z-8575-A
1	Thermostat Housing (8A586)	BL3Z-8592-C
1	Water Outlet Connection	BR3Z-8592-Q
4	Bolt, M6 (HB1)	W714841-S437
2	Screw (HS2)	W500014-S437
1	Coolant Cap 3/4"	F8JL8A500BA
1	Coolant Cap 5/8"	F8JL8A500AA

Oil Filter and Housing



Quantity	Description	Part #
1	Gasket	BE8Z-6L621-A
1	Oil Cooler Assembly	DK4Z-6A642-A
1	Oil Filter	AA5Z-6714-A (FL-500s)
1	Gasket	BR3Z-6840-A
1	Adapter Housing	DK4Z-6881-A
1	Oil Sensor Switch	6U5Z-9278-D
4	Bolt, M6 x 27mm (HB1)	W503278-S437
1	Bolt, M10 x 45mm (HB2)	W503319-S437
2	Oil Cooler Caps	F8JL8A500BA
***6 Quarts refill of 5W-20 to 5W-30		

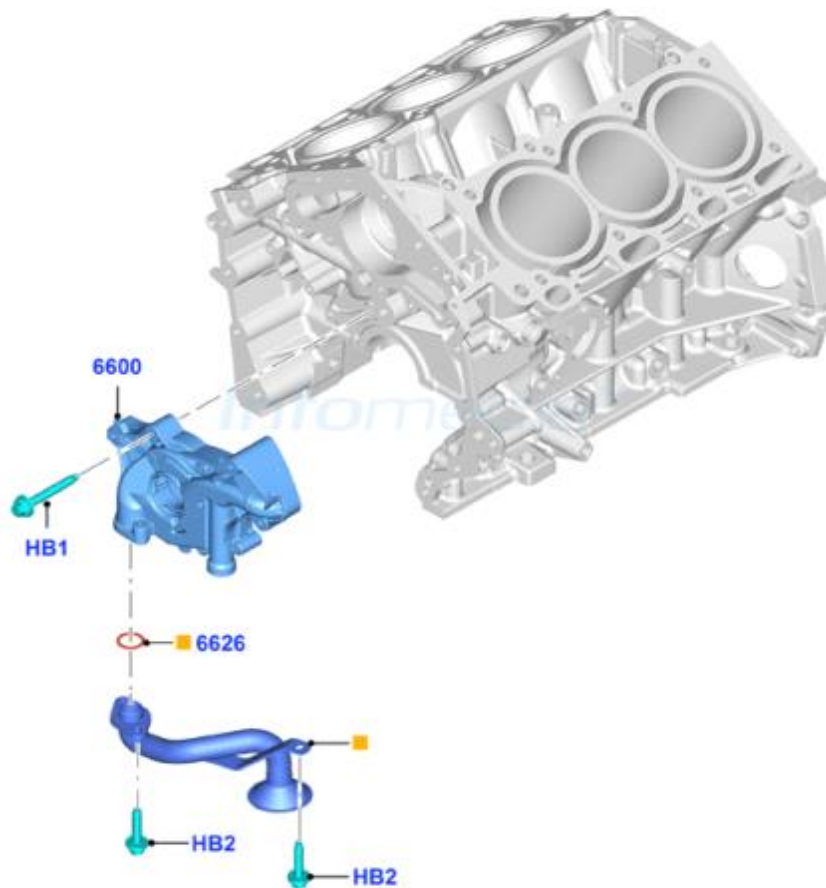
Oil Pan and Tube



Quantity	Description	Part #
1	Oil Pan	BR3Z-6675-P
1	Oil Pan Plug (M12)	9L8Z-6730-A
1	Oil Level Indicator (dipstick)	BR3Z-6750-B
18	Bolt, M8 x 35mm (HB1)	W712943-S437
1	Bolt, M8 x 57mm (HB2)	W716486-S437
1	Bolt M8	W708221-S437

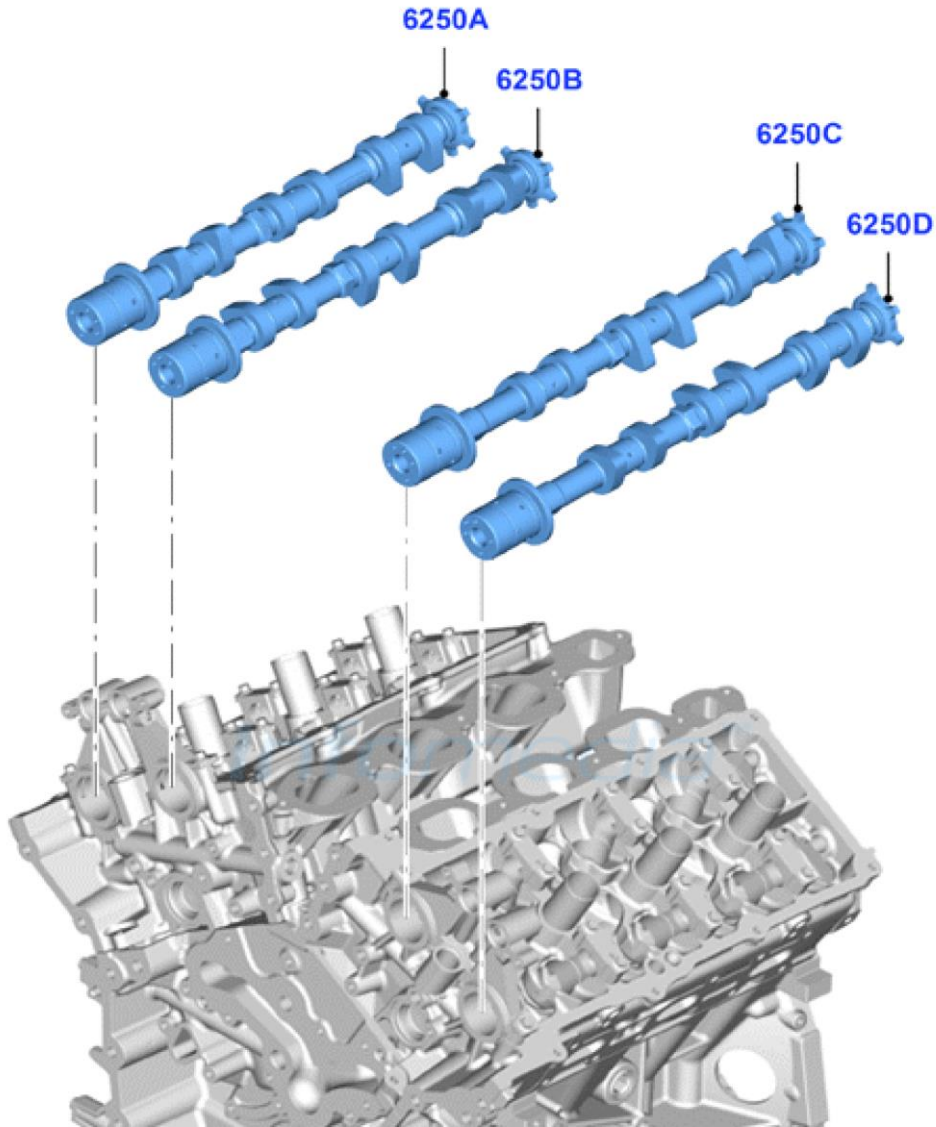
Oil Pump

■ = 6622



Quantity	Description	Part #
1	Oil Pump	7T4Z-6600-AA
1	Oil Pump Inlet Tube	BR3Z-6622-B
1	Gasket	5F9Z-6625-AA
4	Bolt, M6 x 45MM (HB1)	W503282-S437
3	Bolt, M6 x 27MM (HB2)	W503278-S437

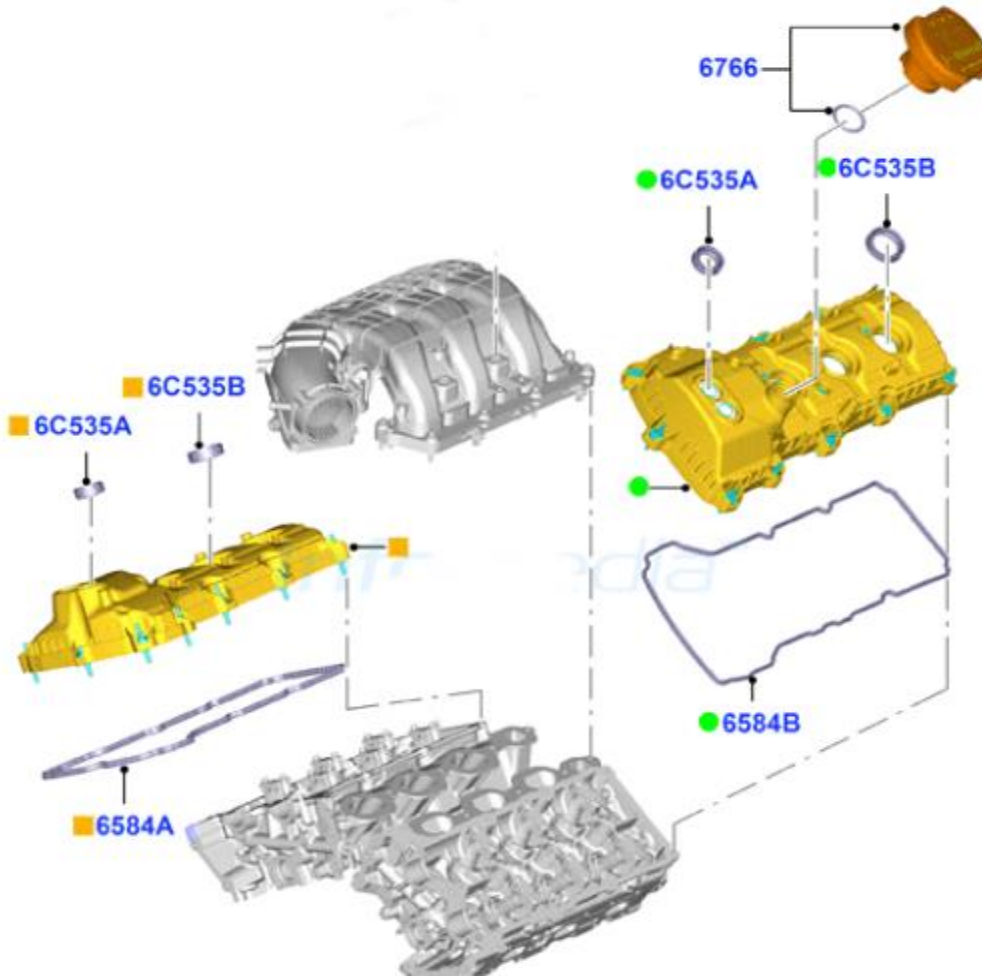
CAMSHAFTS



Quantity	Description	Part #
1	CAM, RH Exhaust, 6250A	AT4Z-6250-C
1	CAM, RH Intake, 6250B	AT4Z-6250-A
1	CAM, LH Intake, 6250C	AT4Z-6250-B
1	CAM, LH Exhaust, 6250D	AT4Z-6250-E

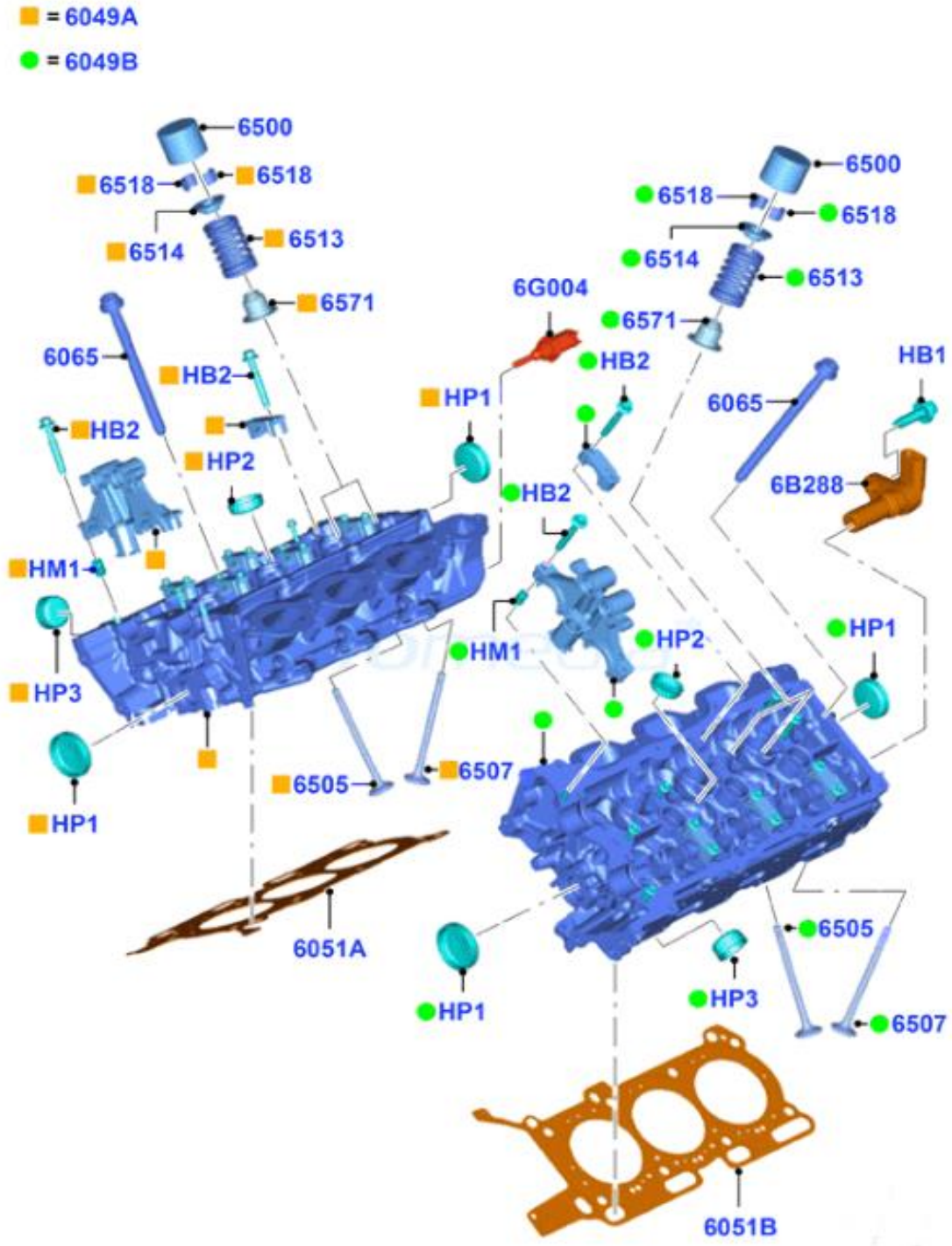
CAMSHAFT COVER

- = 6582A
- = 6582B



Quantity	Description	Part #
4	Seal - Valve	BR3Z-6C535-A
6	Seal - Valve	BR3Z-6C535-B
1	Cover - CAM RH (6582A)	BR3Z-6582-Q
1	Cover - CAM LH (6582B)	BR3Z-6582-R
1	Gasket, RH (6584A)	BR3Z-6584-B
1	Gasket, LH (6584B)	BR3Z-6584-C
1	Oil Filler Cap	8F1Z-6766-A

Cylinder Head



Refer to Next Page for Parts Listing

Cylinder Head

Quantity	Description	Part #
1	Sensor - Cylinder Head Temp	9L8Z-6G004-E
1	CYLINDER HEAD ASSY, RH (6049A)	EK4Z-6049-C
1	CYLINDER HEAD ASSY, LH (6049B)	EK4Z-6049-D
1	Cylinder Head Gasket RH (6051A)	AU3Z-6051-C
1	Cylinder Head Gasket LH (6051B)	AU3Z-6051-D
16	Bolt - Cylinder Head, 8 per package	AT4Z-6065-B
2	CAM Sensor, Inner	AT4Z-6B288-A
12	Exhaust Valve	AT4Z-6505-A
12	Intake Valve	EK4Z-6507-A
24	Valve Spring	AT4Z-6513-A
24	Valve Spring Retainer	7T4Z-6514-AA
48	Valve Spring Retainer Collet	1S7Z-6518-AA
24	Valve Stem Seal, 4 per package	BL3Z-6571-A
4	Bolt, M6 x 20MM (HB1)	W503275-S437
28	Bolt, M6 x 40MM (HB2)	W710702-S300
4	Misc Hardware, 8 x 13MM, 4 per package (HM1)	W701200-S
4	Plug, 31.95MM, Cup Type (HP1)	W701761-S300
4	Plug, 19.35MM Cup Type (HP2)	W701762-S300
2	Plug, 13MM Cup Type (HP3)	W710818-S300

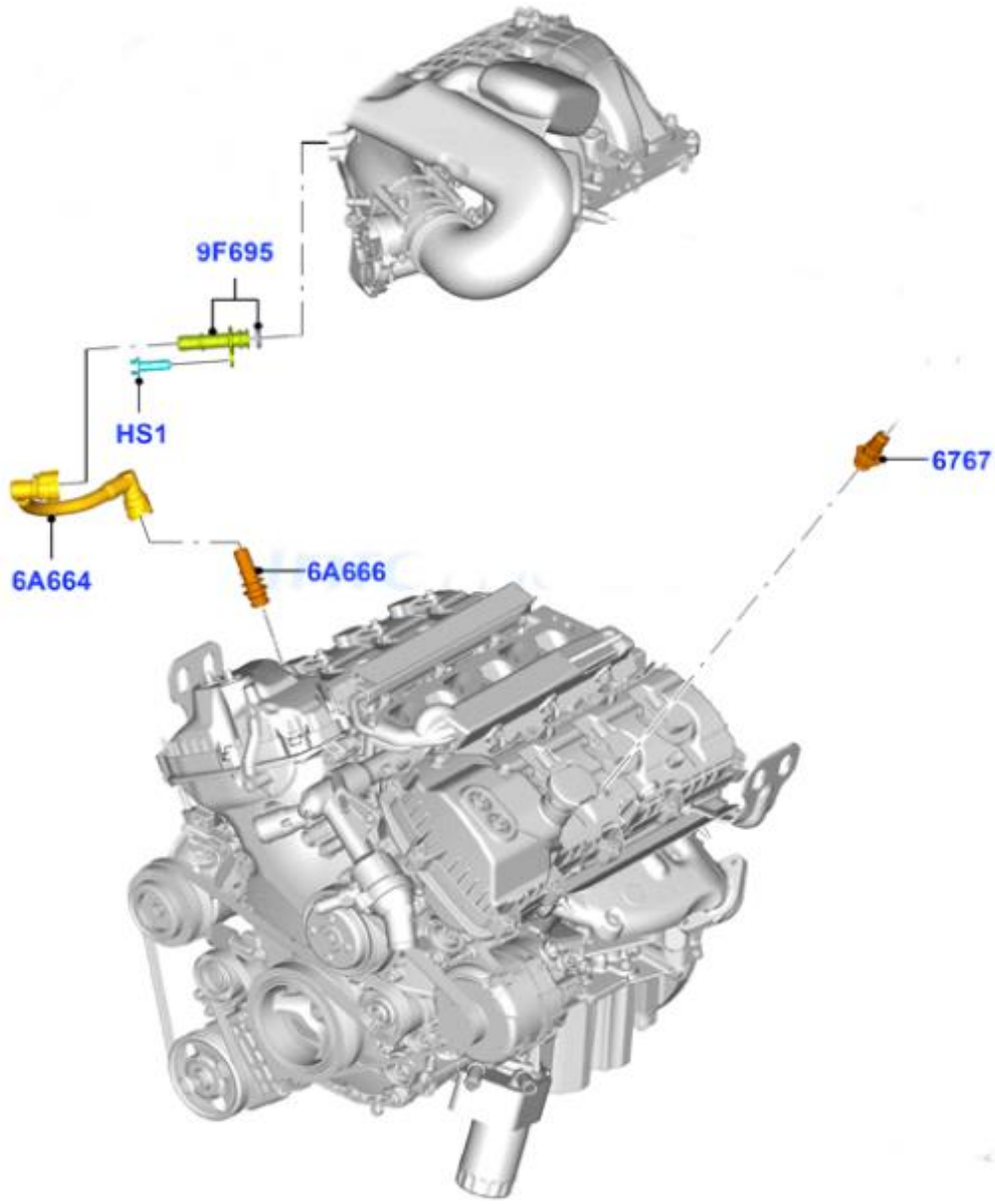
See Next Page for Tappets

Cylinder Head Tappets

REFER TO WORKSHOP MANUAL FOR PROPER SIZE SELECTION

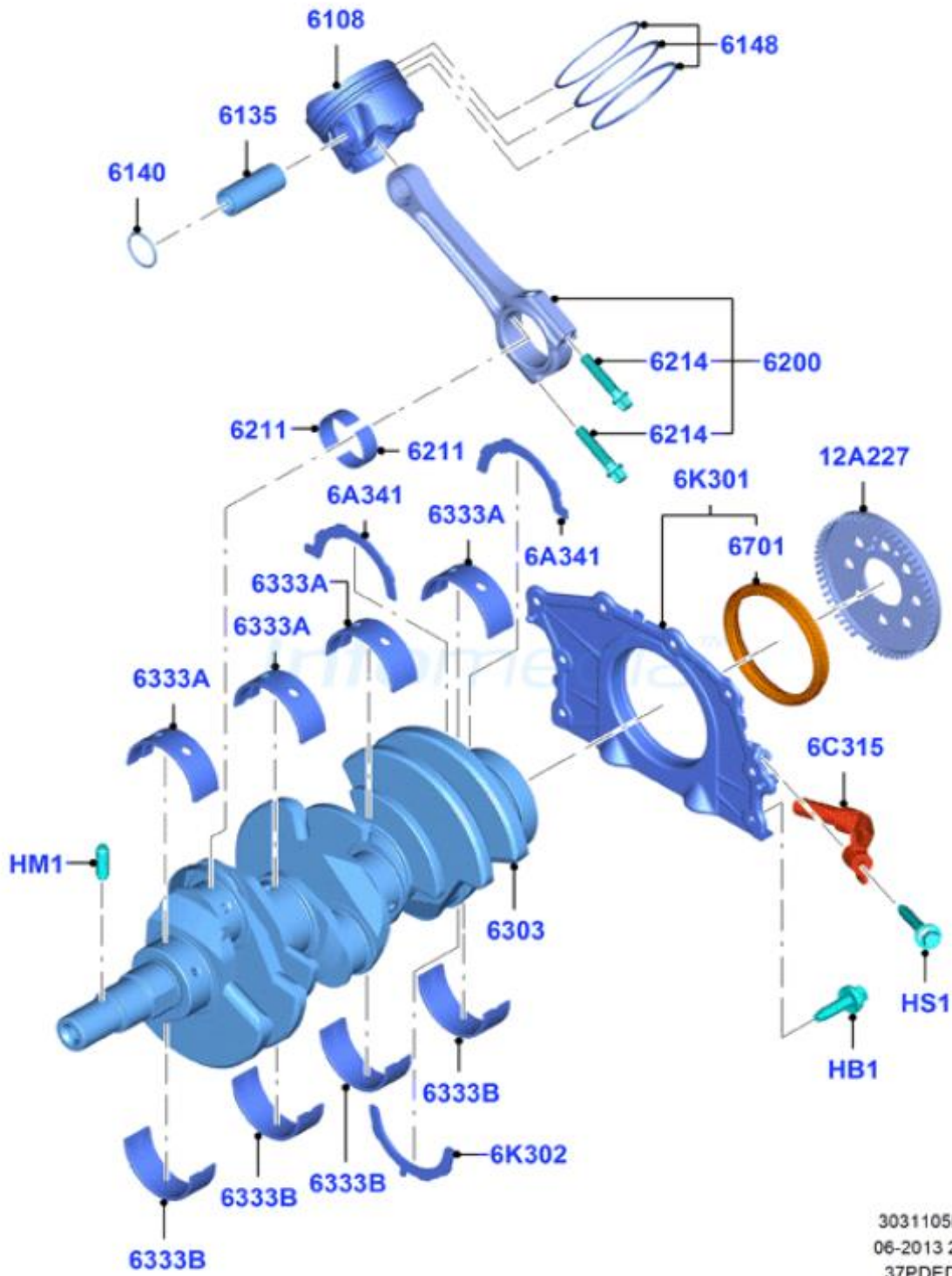
Quantity	Description	Part #
AR	TAPPET ASY, 2.950MM	AT4Z-6500-AAA
AR	TAPPET ASY, 2.965MM	AT4Z-6500-ABA
AR	TAPPET ASY, 2.98MM	AT4Z-6500-ACA
AR	TAPPET ASY, 2.995MM	AT4Z-6500-ADA
AR	TAPPET ASY, 3.010MM	AT4Z-6500-AEA
AR	TAPPET ASY, 3.025MM	AT4Z-6500-AFA
AR	TAPPET ASY, 3.040MM	AT4Z-6500-AGA
AR	TAPPET ASY, 3.055MM	AT4Z-6500-AHA
AR	TAPPET ASY, 3.070MM	AT4Z-6500-AJA
AR	TAPPET ASY, 3.085MM	AT4Z-6500-AKA
AR	TAPPET ASY, 3.100MM	AT4Z-6500-ALA
AR	TAPPET ASY, 3.115MM	AT4Z-6500-AMA
AR	TAPPET ASY, 3.130MM	AT4Z-6500-ANA
AR	TAPPET ASY, 3.145MM	AT4Z-6500-ARA
AR	TAPPET ASY, 3.160MM	AT4Z-6500-ASA
AR	TAPPET ASY, 3.175MM	AT4Z-6500-ATA
AR	TAPPET ASY, 3.190MM	AT4Z-6500-BAA
AR	TAPPET ASY, 3.205MM	AT4Z-6500-BBA
AR	TAPPET ASY, 3.220MM	AT4Z-6500-BCA
AR	TAPPET ASY, 3.235MM	AT4Z-6500-BDA
AR	TAPPET ASY, 3.250MM	AT4Z-6500-BEA
AR	TAPPET ASY, 3.265MM	AT4Z-6500-BFA
AR	TAPPET ASY, 3.280MM	AT4Z-6500-BGA
AR	TAPPET ASY, 3.295MM	AT4Z-6500-BHA
AR	TAPPET ASY, 3.310MM	AT4Z-6500-BJA
AR	TAPPET ASY, 3.325MM	AT4Z-6500-BKA
AR	TAPPET ASY, 3.340MM	AT4Z-6500-BLA
AR	TAPPET ASY, 3.355MM	AT4Z-6500-BMA
AR	TAPPET ASY, 3.370MM	AT4Z-6500-BNA
AR	TAPPET ASY, 3.385MM	AT4Z-6500-BRA
AR	TAPPET ASY, 3.400MM	AT4Z-6500-BSA
AR	TAPPET ASY, 3.415MM	AT4Z-6500-BTA
AR	TAPPET ASY, 3.430MM	AT4Z-6500-CAA
AR	TAPPET ASY, 3.445MM	AT4Z-6500-CBA
AR	TAPPET ASY, 3.460MM	AT4Z-6500-CCA
AR	TAPPET ASY, 3.475MM	AT4Z-6500-CDA
AR	TAPPET ASY, 3.490MM	AT4Z-6500-CEA
AR	TAPPET ASY, 3.505MM	AT4Z-6500-CFA
AR	TAPPET ASY, 3.505MM	AT4Z-6500-CGA
AR	TAPPET ASY, 3.520MM	AT4Z-6500-CGA
AR	TAPPET ASY, 3.535MM	AT4Z-6500-CHA
AR	TAPPET ASY, 3.550MM	AT4Z-6500-CJA
AR	TAPPET ASY, 3.565MM	AT4Z-6500-CKA
AR	TAPPET ASY, 3.580MM	AT4Z-6500-CLA
AR	TAPPET ASY, 3.595MM	AT4Z-6500-CMA
AR	TAPPET ASY, 3.610MM	AT4Z-6500-CNA
AR	TAPPET ASY, 3.625MM	AT4Z-6500-CRA
AR	TAPPET ASY, 3.640MM	AT4Z-6500-CSA
AR	TAPPET ASY, 3.655MM	AT4Z-6500-CTA
AR	TAPPET ASY, 3.670MM	AT4Z-6500-DAA
AR	TAPPET ASY, 3.685MM	AT4Z-6500-DBA

Crankcase Ventilation



Quantity	Description	Part #
1	PCV Hose	BR3Z-6A664-B
1	PCV Regulating Valve	BL3Z-6A666-AA
1	Breather Elbow	4L2Z-6762-AA
1	Tube - engine vent	BR3Z-9F695-A
1	Screw, 6 x 20 (HS1)	W506855-S442

Pistons, Crankshaft and Rear Man Seal



Refer to Next Two Pages for Parts Listing

3031105D
06-2013 22
37PDEFD

Pistons, Crankshaft and Rear Man Seal

Quantity	Description	Part #
6	Piston Standard, piston only	EK4Z-6108-B
6	Piston, .50MM/0.20" O/S, piston only	EK4Z-6108-A
6	Piston Pin	9A5Z-6135-A
12	Retainer - Piston Pin	7T4Z-6140-A
6	Piston Ring Kit, standard, Contains Rings for 1 Cylinder	BA5Z-6148-C
6	Piston Ring Kit, .50MM/0.20" O/S, Contains Rings for 1 Cylinder	BA5Z-6148-D
6	Connecting Rod Assembly	BL3Z-6200-A
6	BEARING - CONNECTING ROD, GRADE 1, REFER TO WORKSHOP MANUAL FOR PROPER GRADE SELECTION, CONTAINS 1 UPPER AND 1 LOWER BEARING	BL3Z-6211-DA
6	BEARING - CONNECTING ROD, GRADE 2, REFER TO WORKSHOP MANUAL FOR PROPER GRADE SELECTION, CONTAINS 1 UPPER AND 1 LOWER BEARING	BL3Z-6211-EA
6	BEARING - CONNECTING ROD, GRADE 3, REFER TO WORKSHOP MANUAL FOR PROPER GRADE SELECTION, CONTAINS 1 UPPER AND 1 LOWER BEARING	BL3Z-6211-FA
12	Bolt - Connecting Rod	5G5Z-6214-A
1	RETAINER - SEAL, INCLUDES SEAL, USE RTV SILICONE SEALER IN PLACE OF GASKET FOR THIS APPLICATION. REFER TO WORKSHOP MANUAL FOR SPECIFICATION	CG1Z-6335-A
1	Thrust Washer	8L3Z-6K302-A
1	Crankshaft Assembly	AA5Z-6303-E
1	Crankshaft Position Sensor	AA5Z-6C315-A
4	BEARING - CRANKSHAFT MAIN, GRADE 1 STD, UPPER, REFER TO WORKSHOP MANUAL FOR PROPER GRADE SELECTION	AT4Z-6333-A
4	BEARING - CRANKSHAFT MAIN, GRADE 2 STD, UPPER, REFER TO WORKSHOP MANUAL FOR PROPER GRADE SELECTION	AT4Z-6333-B
4	BEARING - CRANKSHAFT MAIN, GRADE 3 STD, UPPER, REFER TO WORKSHOP MANUAL FOR PROPER GRADE SELECTION	AT4Z-6333-C
4	BEARING - CRANKSHAFT MAIN, 0.25MM O/S, GRADE 1, UPPER, REFER TO WORKSHOP MANUAL FOR PROPER GRADE SELECTION	AT4Z-6333-D
4	BEARING - CRANKSHAFT MAIN, 0.25MM O/S, GRADE 2, UPPER, REFER TO WORKSHOP MANUAL FOR PROPER GRADE SELECTION	AT4Z-6333-E
4	BEARING - CRANKSHAFT MAIN, 0.25MM O/S, GRADE 3, UPPER, REFER TO WORKSHOP MANUAL FOR PROPER GRADE SELECTION	AT4Z-6333-F

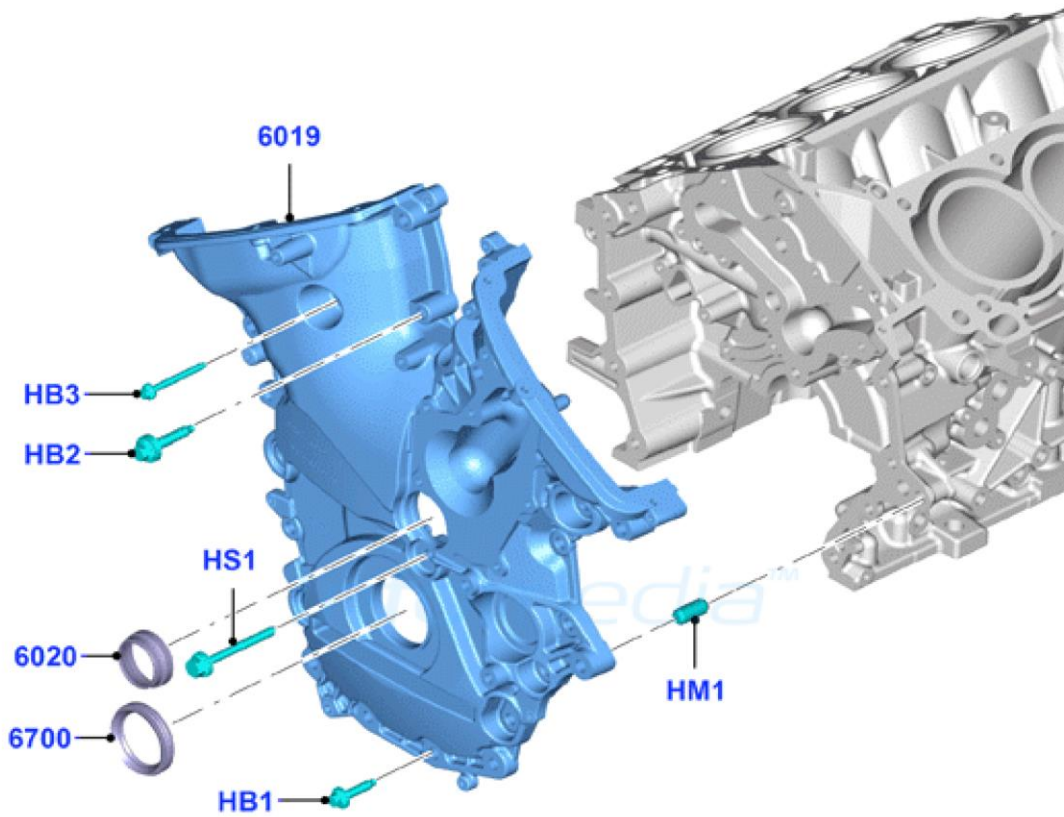
Pistons, Crankshaft and Rear Man Seal

Quantity	Description	Part #
4	BEARING - CRANKSHAFT MAIN, GRADE 1 STD, LOWER, REFER TO WORKSHOP MANUAL FOR PROPER GRADE SELECTION	AT4Z-6333-G
4	BEARING - CRANKSHAFT MAIN, GRADE 2 STD, LOWER, REFER TO WORKSHOP MANUAL FOR PROPER GRADE SELECTION	AT4Z-6333-H
4	BEARING - CRANKSHAFT MAIN, GRADE 3 STD, LOWER, REFER TO WORKSHOP MANUAL FOR PROPER GRADE SELECTION	AT4Z-6333-J
4	BEARING - CRANKSHAFT MAIN, 0.25MM U/S, GRADE 1, LOWER, REFER TO WORKSHOP MANUAL FOR PROPER GRADE SELECTION	AT4Z-6333-K
4	BEARING - CRANKSHAFT MAIN, 0.25MM U/S, GRADE 2, LOWER, REFER TO WORKSHOP MANUAL FOR PROPER GRADE SELECTION	AT4Z-6333-L
4	BEARING - CRANKSHAFT MAIN, 0.25MM U/S, GRADE 3, LOWER, REFER TO WORKSHOP MANUAL FOR PROPER GRADE SELECTION	AT4Z-6333-M
2	Washer, crankshaft	8L3Z-6A341-A
1	Seal	AT4Z-6701-A
1	Ring	7T4Z-12A227-BA
8	Bolt, M6 x 20MM (HB1)	W503275-S437
1	Dowel Pin (HM1)	W710522-S300
1	Screw, M5 x 35MM (HS1)	W712315-S437

Timing Chain and Gears

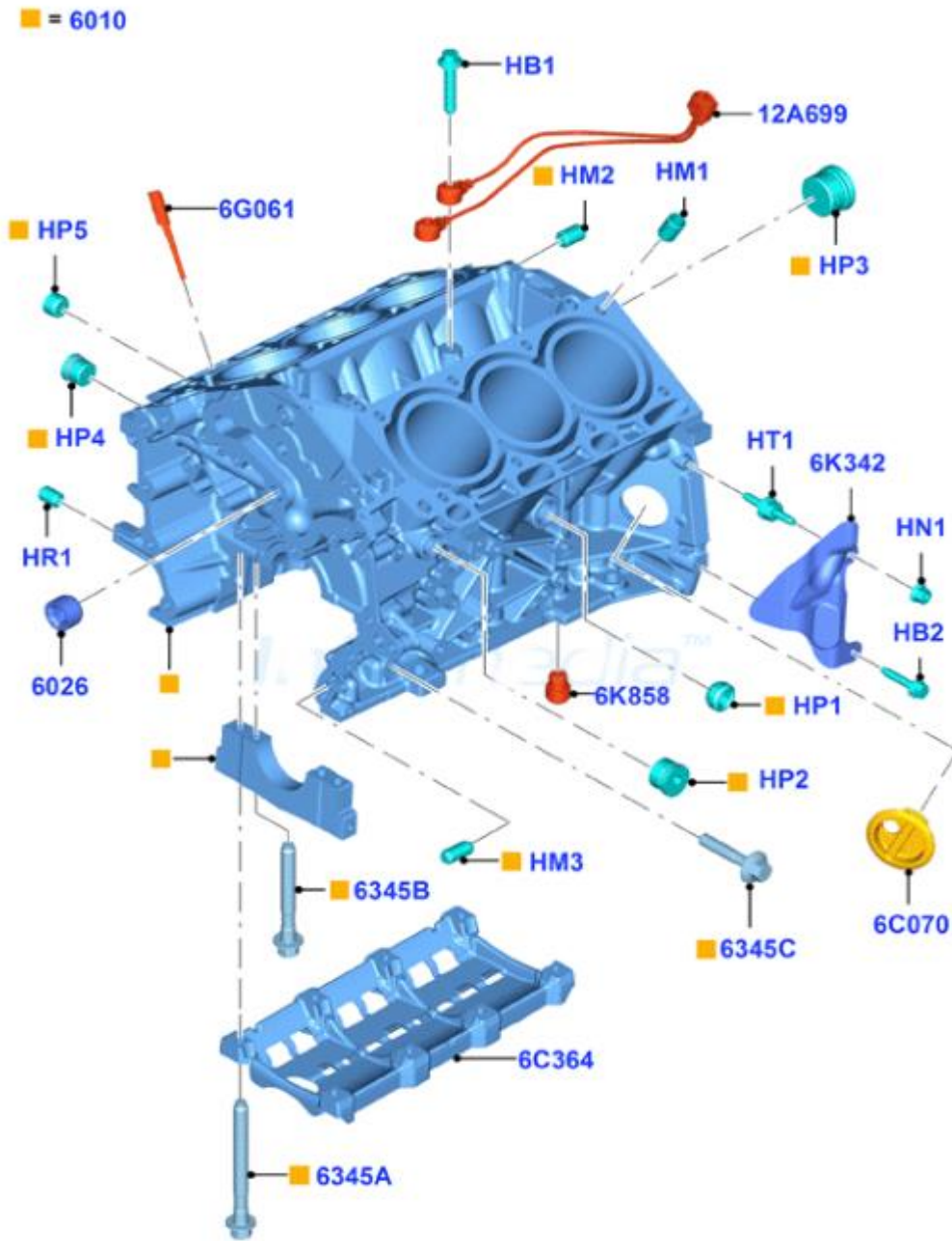
Quantity	Description	Part #
4	CAM Pin (6H059)	AT4Z-6B316-A
2	Tensioner - Timing Belt	AT4Z-6K254-A
1	ARM - Timing Chain	AT4Z-6K255-A
2	Sprocket - CAM	AT4Z-6256-B
8	Seal	AT4Z-6C262-A
1	Tensioner - Timing Chain	AT4Z-6L266-A
1	Belt/Chain - Timing Primary (6268A)	AT4Z-6268-C
2	Belt/Chain - Timing Secondary (6268B)	AT4Z-6268-A
1	Timing Belt Guide	AT4Z-6B274-A
2	Bolt, Hex Head, (6279A)	AT4Z-6279-D
2	Bolt, Hex Head (6279B)	AT4Z-6279-E
2	Solenoid, Engine Variable Timing (Exhaust)	AT4Z-6M280-A
2	Solenoid, Engine Variable Timing (6M280)	AT4Z-6M280-B
1	Guide, Primary, RH	AT4Z-6K297-A
1	Guide, Primary, LH	AT4Z-6K297-B
2	Guide, Secondary	AT4Z-6K297-D
1	Gear - Crankshaft	AT4Z-6306-A
2	CAM, Exhaust	AT4Z-6C525-B
1	Bolt, M6 (HB1)	W714094-S437
3	Bolt, Pivot Stud (HB2)	W714090-S300
4	Bolt, M6 x 25mm (HB3)	W500215-S300
3	Bolt, M6 x 31.5mm (HB4)	W709818-S437
1	Bolt, M6 (HB5)	W716322-S437
4	Ring, 19MM Diameter (HR1)	AT4Z-8527-B
1	Screw, M6	W715118-S300

Timing Chain Cover



Quantity	Description	Part #
1	Front Cover	BR3Z-6019-H
1	Gasket	BR3Z-6020-A
1	Front Seal, Crank	XW4Z-6700-AA
16	Bolt, M8 x 35MM (HB1)	W503297-S437
4	Bolt, M8 x 55MM (HB2)	W503301-S437
1	Bolt, M6 x 60MM (HB3)	W503285-S437
2	8 x 18MM Pin (HM1)	W706860-S300
1	Screw, M8 x 85MM (HS1)	W715543-S437

Cylinder Block



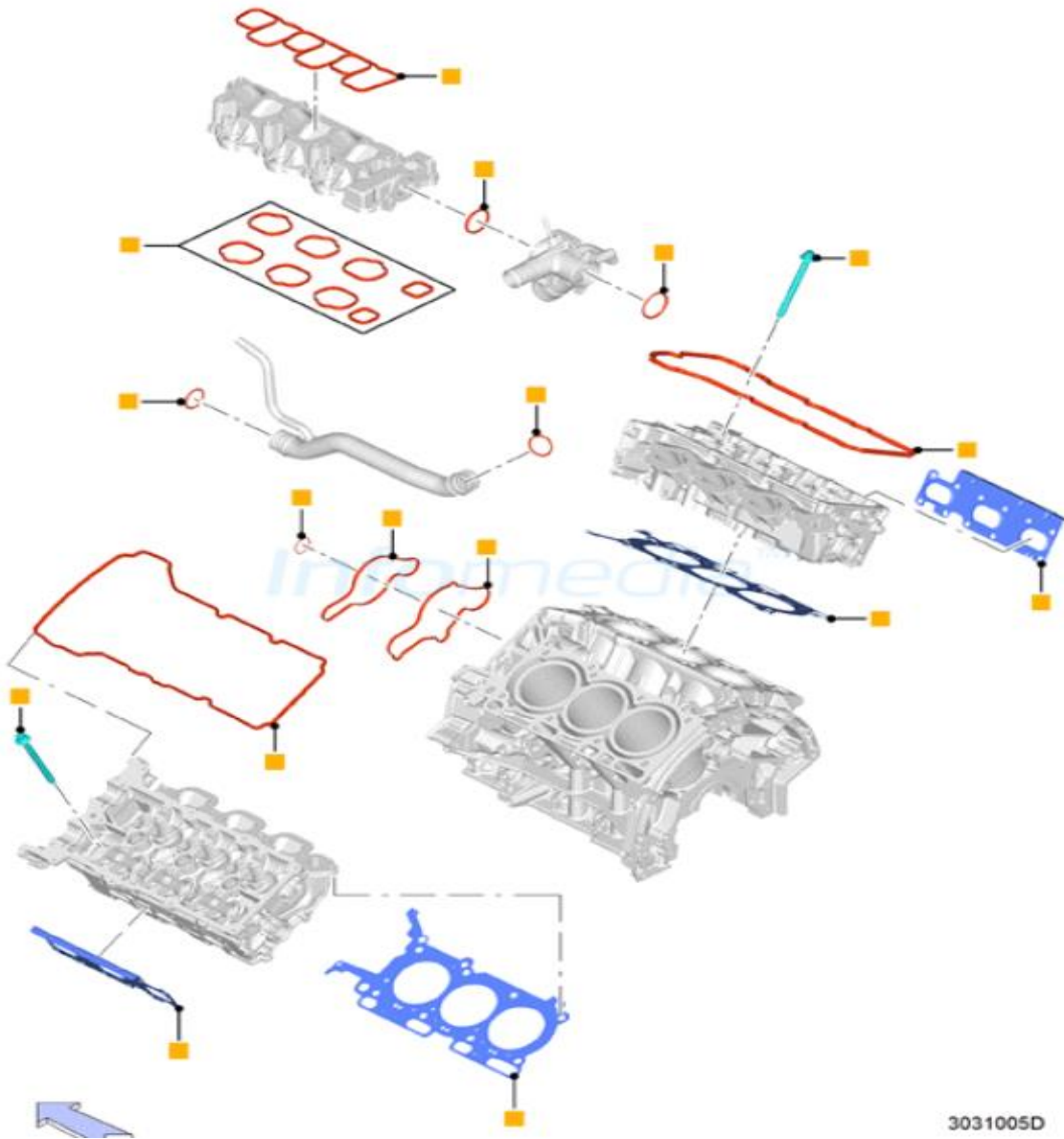
Refer to Next Page for Parts Listing

Cylinder Block

Quantity	Description	Part #
1	Cylinder Block	BR3Z-6010-K
1	Engine Plug - 16MM	7T4Z-6026-A
1	Valve - Water Control	7T4Z-6G061-BA
1	Cover	7T4Z-6C070-AA
1	Shield	7T4Z-6K342-CA
8	Bearing Cap Bolt - M10x94MM (6345A)	AT4Z-6345-A
8	Bearing Cap Bolt - M10x115MM (6345B)	AT4Z-6345-B
8	Bearing Cap Bolt, M9 (6345C)	7T4Z-6345-A
1	Brace	BR3Z-6C364-D
6	Nozzle - Piston Cooling	AA5Z-6K868-A
1	Knock Sensor	7T4Z-12A699-AB
2	Bolt, M8 x 40MM (HB1)	W500311-S437
1	Bolt, M6 x 30MM (HB2)	W701669-S437
4	Dowel Pin - 13.2 x 19.5MM (HM1)	W709001-S300
2	Dowel Pin - 13 x 19.5MM (HM2)	W715471-S300
2	Pin - 8 x 18MM (HM3)	W706860-S300
1	Nut, M6 x 1 (HN1)	W520101-S437
1	Plug, 3/4"x14 NPTF (HP1)	W701548-S446
1	Plug, M22 (HP2)	W528207-S437
1	Plug, M30 (HP3)	W716818-S437
1	Plug, M18 (HP4)	W528205-S437
1	Plug, 3/8 x 18MM	W701516-S901
2	Ring, 11 x 15MM	W704711-S300
1	Stud, M6 x 15 + M6 x 22MM	W701672-S437

Gasket Kit

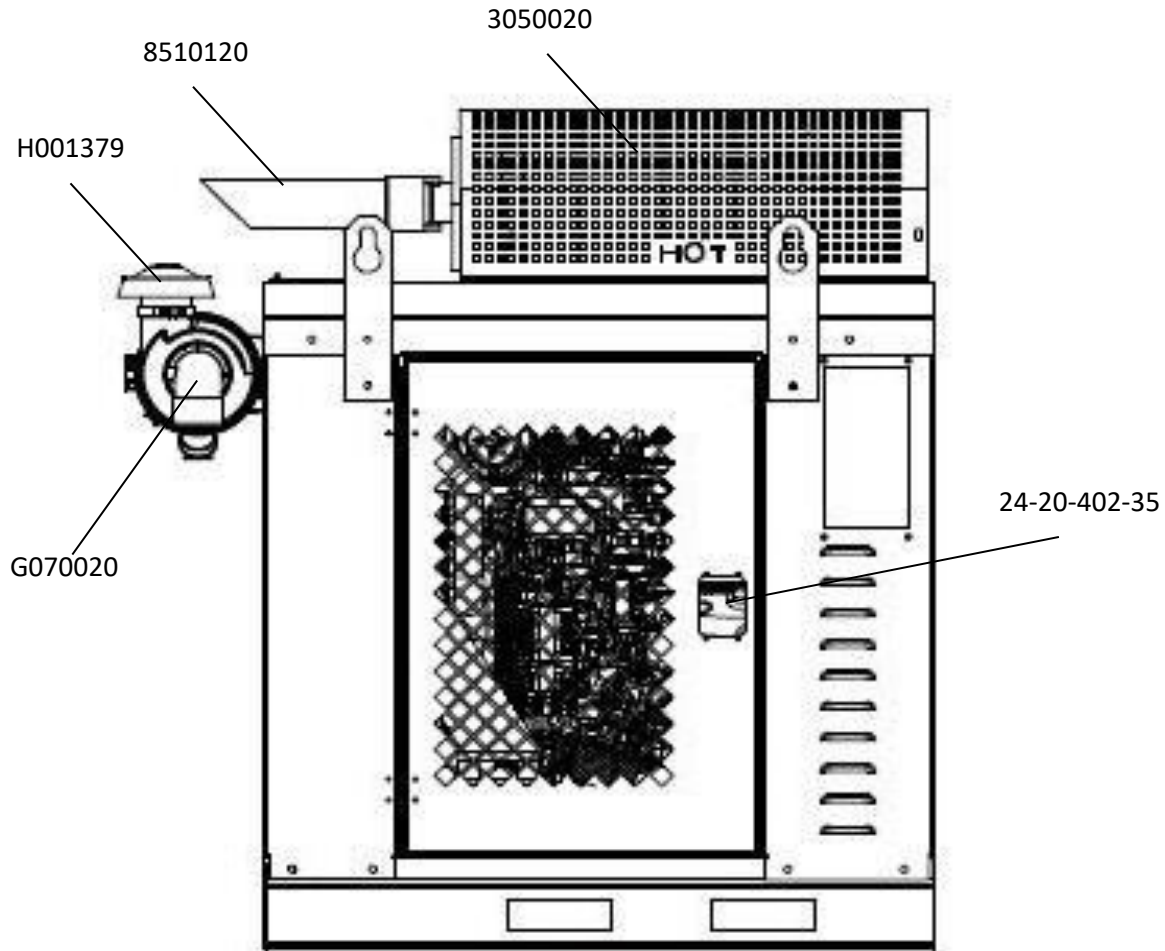
■ = 6079



3031005D

Quantity	Description	Part #
1	Gasket Kit	BR3Z-6079-C

Enclosure



Quantity	Description	Part #
1	Enclosure	3040060
1	Enclosure - Cat Muffler Heat Shield	3050020
2	Door Latches	24-20-402-35
1	Air Cleaner	G070020
1	Air Cleaner Cap	H001379
1	Air Cleaner Mount (to sheetmetal)	H002070
2	Catalyst Muffler Mounts (to sheetmetal)	M002119
1	Exhaust Outlet Pipe	8510120

Hydraulic Pumps, Power Steering and AC**With AC and with Powersteering**

Quantity	Description	Part #
1	Powersteering Pump	CK4Z-3A674-A
2	PS Pump Bolts	W503302-S442
1		W704752-S437
1	PS Bracket	DK4Z-10A313-A
2	PS Bracket Bolts (1)	W716486-S437
1	PS Bracket Bolts (2)	W716483-S437
1	Tensioner	DK4Z-6A228-A
2	Tensioner Bolts	W503302-S442
1	AC Compressor	BL3Z-19703-A
3	AC Compressor Bolts	W704750-S437
1	Belt	DK4Z-8620-A

Without AC and with Powersteering

Quantity	Description	Part #
1	Powersteering Pump	CK4Z-3A674-A
2	PS Pump Bolts	W503302-S442
1		W704752-S437
1	PS Bracket	DK4Z-10A313-A
2	PS Bracket Bolts (1)	W716486-S437
1	PS Bracket Bolts (2)	W716483-S437
1	Belt	5040358

Hydraulic Pump Only

Quantity	Description	Part #
1	Hydraulic Pump (003 version)	26003-RZV
1	Hydraulic Pump (007 version)	66043508
1	Pully for Hydraulic Pumps	128940
1	Bracket for Hydraulic Pumps	907006
1	Belt For Hydraulic Pumps	1050030

Manuals and Labels



Quantity	Description	Part #
1	Operators Manual	1030230
1	Emission Install Instructions	1030240
1	Parts Manual	1040040
1	Service Manual	1040030
1	Emission Label	1030220
1	Model & Serial # Label	1030210
1	Specification Sheet	1040060